

50Hz



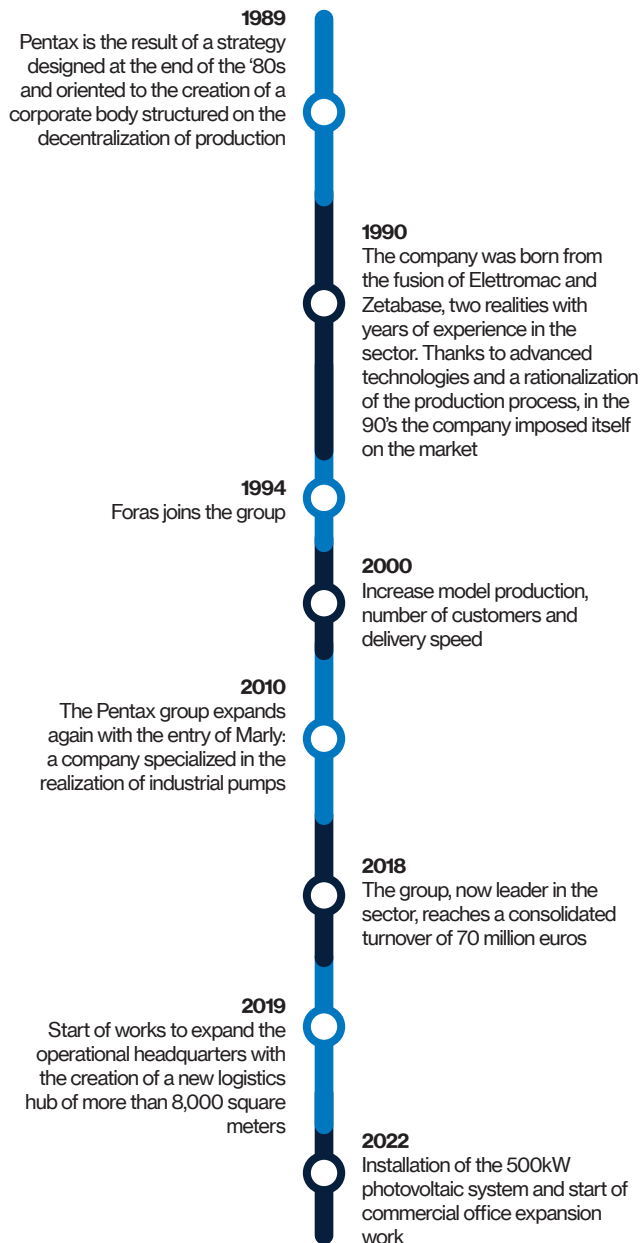
# GENERAL CATALOGUE

[www.pentax-pumps.it](http://www.pentax-pumps.it)



# HISTORY

For many years **Pentax** has held a large share of the world market for motorized pumps. The sales department is constantly working to better serve existing customers and to open up new markets. This is possible thanks to the wide range of products available which allows to cover most of the applications in the pump field. Special attention is also paid to market surveys, so that any new requirements can be immediately transferred to the research and development department: the best way to properly develop and forecast future scenarios.

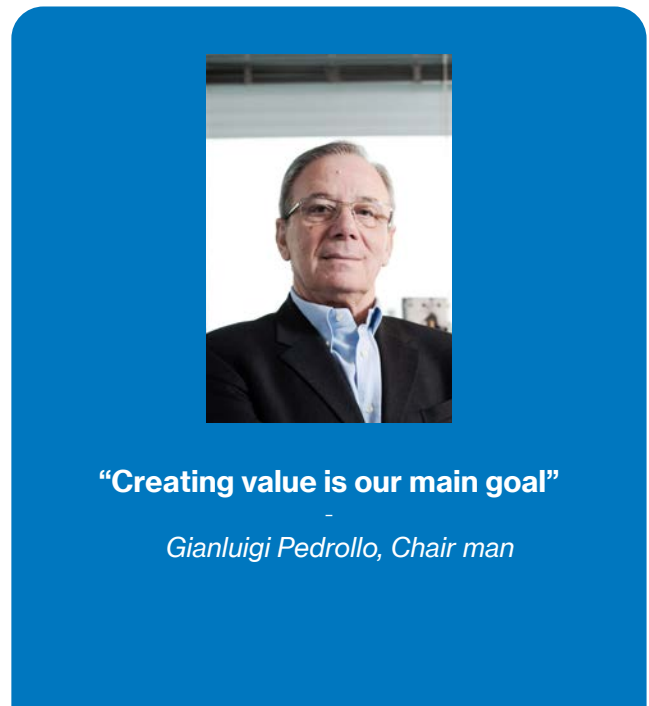


# MISSION

After more than **20 years of activity** we can finally trace the guidelines that have governed and directed the industrial development of **Pentax Industries SpA**. Actions and processes that have intersected with the obvious aim of creating value, benefits to be redistributed to the various components of the production and distribution process.

A rational allocation of available resources, together with a refined program of production decentralization have allowed the company to adapt to changing market conditions, each time with extreme rapidity.

Maximum attention to the markets, therefore, with the commitment to respond in real time to the specific needs of the different markets, paying particular attention to technological progress. All this in the perspective of a careful policy for **customer satisfaction**.



**“Creating value is our main goal”**

*Gianluigi Pedrollo, Chair man*

# VALUES



## Reliability

Choosing Pentax means choosing safety at every stage

## Quality

Where there is control, there is reliability: the basis for success

## Speed

Impeccable delivery time

## Flexibility

Pentax studies each case thoroughly, identifies the best solution and then takes action with security

## Variety

The best service: a wide range of Pentax products, one for every need



# OFFICIAL JOURNAL OF THE EUROPEAN UNION

## Regulation UE 547/2012

### ANNEX II

«The benchmark for most efficient water pumps is  $MEI \geq 0,70$ ».

«The efficiency of a pump with a trimmed impeller is usually lower than that of a pump with the full impeller diameter. The trimming of the impeller will adapt the pump to a fixed duty point, leading to reduced energy consumption. The minimum efficiency index (MEI) is based on the full impeller diameter».

«The operation of this water pump with variable duty points may be more efficient and economic when controlled, for example, by the use of a variable speed drive that matches the pump duty to the system».

Information on benchmark efficiency is available at:

[www.europump.org/efficiencycharts](http://www.europump.org/efficiencycharts).





Self priming pumps for pools with a large built-in pre-filter, which, together with the excellent hydraulic performance of the pump, generates a very high filtration capacity. The transparent polycarbonate lid easily allows inspection of the pre-filter sieve. Pump body, seal housing and diffuser reinforced with glass fibre polypropylene are resistant to chemical products used for pools and guarantee excellent duration.

### Construction features

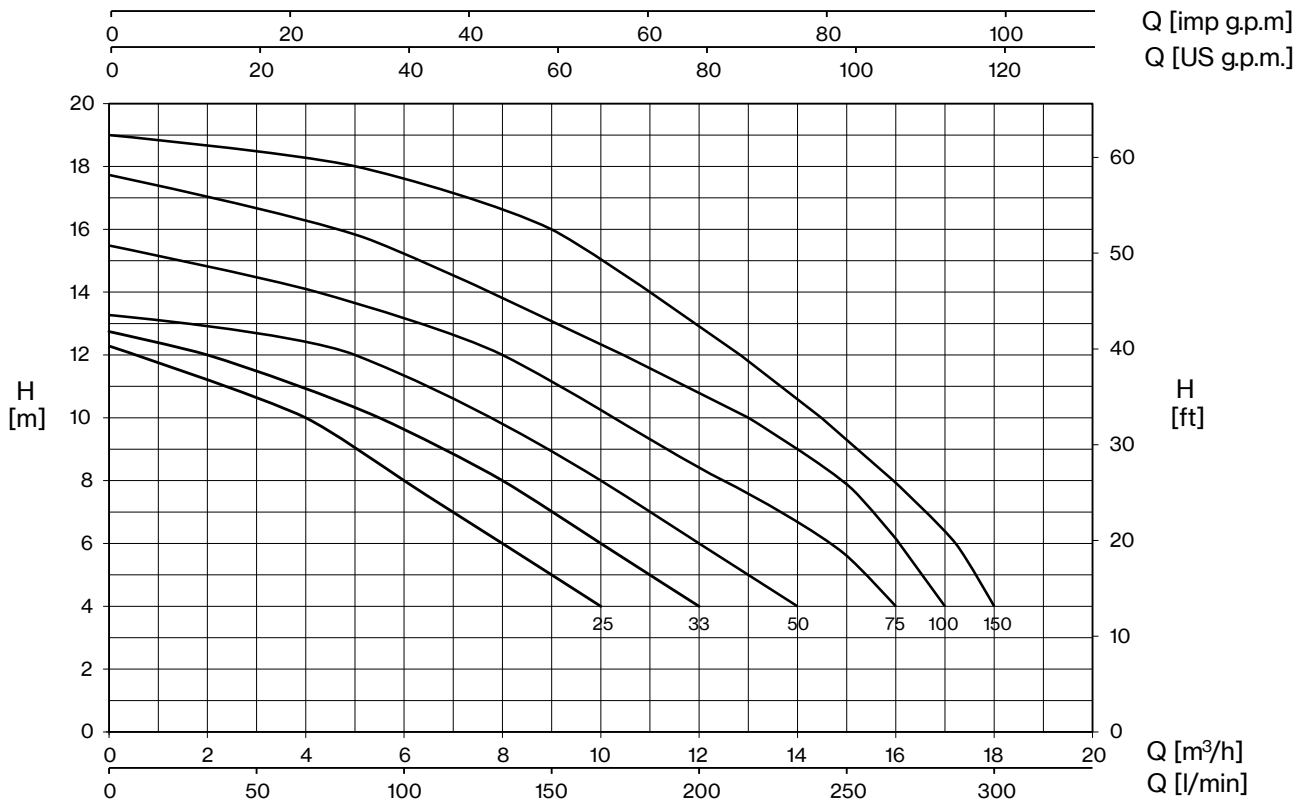
<b>Painting</b>	cataphoresis
<b>Pump body, seal housing, diffuser</b>	polypropylene
<b>Motor bracket</b>	aluminum
<b>Impeller</b>	Noryl®
<b>Mechanical seal</b>	ceramic-graphite-AISI 316
<b>Motor shaft</b>	stainless steel AISI 316
<b>Liquid temperature</b>	max 40 °C
<b>Pre-filter cover</b>	polycarbonate

### Motor

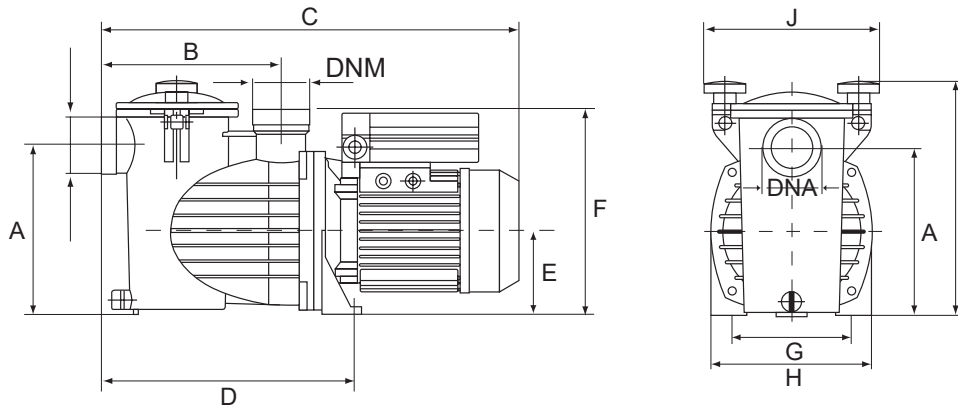
	3~ 230/400V - 50Hz
<b>2 poles induction motor</b>	1~ 230V - 50Hz
<b>Insulation class</b>	F
<b>Protection degree</b>	IP55





# POOL1



TYPE		P2		μF	AMPERE			H (m)								
1~	3~	HP	kW		1~	3~	3~	4	6	8	10	12	14	16	18	
					230V	230V	400V	Q (m³/h)								
POOL1 25M	POOL1 25T	0,25	0,16	10	2,6	1,3	0,8	10,0	8,0	6,0	4,0	0,5				
POOL1 33M	POOL1 33T	0,33	0,25	10	2,9	1,9	1,1	12,0	10,0	8,0	5,5	2,0				
POOL1 50M	POOL1 50T	0,5	0,37	18	3,3	2,5	1,4	14,0	12,0	10,0	7,0	5,0				
POOL1 75M	POOL1 75T	0,75	0,55	12	3,8	3,0	1,7	16,0	15,0	12,5	10,0	8,0	4,2			
POOL1 100M	POOL1 100T	1	0,75	20	4,2	3,4	2,0	17,0	16,0	15,3	13,0	10,5	7,6	5,5		
POOL1 150M	POOL1 150T	1,5	1,1	20	7,3	5,0	2,9	18,0	17,3	15,9	14,5	12,8	11,0	9,0	5,0	



TYPE	DIMENSIONS (mm)																				
	A	B	C	D	E	F	G	H	I	J	DNA	DNM	L1	A1		H1					
POOL1 25M	191	205	470	285	95	233	140	180	265	197	1" 1/2 Ø 50 PVC		630	230	360	9,5					
POOL1 25T																					10,8
POOL1 33M	191	205	470	285	95	233	140	180	265	197											9,5
POOL1 33T																					10,8
POOL1 50M	191	205	470	285	95	233	140	180	265	197											9,5
POOL1 50T																					10,8
POOL1 75M	191	205	470	285	95	233	140	180	265	197											10,9
POOL1 75T																					10,8
POOL1 100M	191	205	470	285	95	233	140	180	265	197											10,9
POOL1 100T																10,8					
POOL1 150M	191	205	470	285	95	233	140	180	265	197						11,6					
POOL1 150T																11,8					

