

50Hz



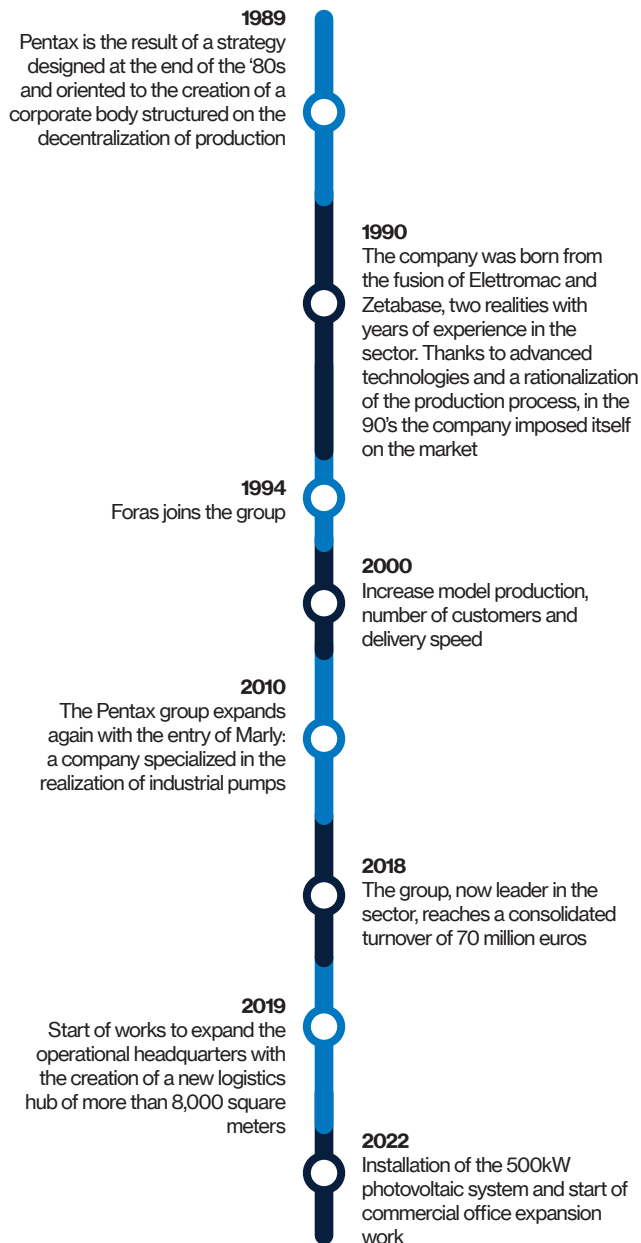
GENERAL CATALOGUE

www.pentax-pumps.it



HISTORY

For many years **Pentax** has held a large share of the world market for motorized pumps. The sales department is constantly working to better serve existing customers and to open up new markets. This is possible thanks to the wide range of products available which allows to cover most of the applications in the pump field. Special attention is also paid to market surveys, so that any new requirements can be immediately transferred to the research and development department: the best way to properly develop and forecast future scenarios.



MISSION

After more than **20 years of activity** we can finally trace the guidelines that have governed and directed the industrial development of **Pentax Industries SpA**. Actions and processes that have intersected with the obvious aim of creating value, benefits to be redistributed to the various components of the production and distribution process.

A rational allocation of available resources, together with a refined program of production decentralization have allowed the company to adapt to changing market conditions, each time with extreme rapidity.

Maximum attention to the markets, therefore, with the commitment to respond in real time to the specific needs of the different markets, paying particular attention to technological progress. All this in the perspective of a careful policy for **customer satisfaction**.

“Creating value is our main goal”
-
Gianluigi Pedrollo, Chair man

VALUES



Reliability

Choosing Pentax means choosing safety at every stage

Quality

Where there is control, there is reliability: the basis for success

Speed

Impeccable delivery time

Flexibility

Pentax studies each case thoroughly, identifies the best solution and then takes action with security

Variety

The best service: a wide range of Pentax products, one for every need



OFFICIAL JOURNAL OF THE EUROPEAN UNION

Regulation UE 547/2012

ANNEX II

«The benchmark for most efficient water pumps is $MEI \geq 0,70$ ».

«The efficiency of a pump with a trimmed impeller is usually lower than that of a pump with the full impeller diameter. The trimming of the impeller will adapt the pump to a fixed duty point, leading to reduced energy consumption. The minimum efficiency index (MEI) is based on the full impeller diameter».

«The operation of this water pump with variable duty points may be more efficient and economic when controlled, for example, by the use of a variable speed drive that matches the pump duty to the system».

Information on benchmark efficiency is available at:

www.europump.org/efficiencycharts.





Self-priming centrifugal pumps for domestic applications such as domestic systems where air is mixed with water. Recommended in combination with pressure set for water transfer, rainwater harvesting and garden irrigation systems.

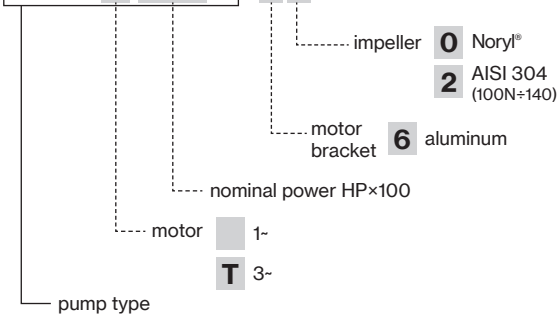
Construction features

Pump body	stainless steel AISI 304
Motor bracket	aluminum
Impeller	Noryl® Noryl®, AISI 304 (100N≠140)
Mechanical seal	ceramic-graphite-NBR
Motor shaft	stainless steel AISI 416
Liquid temperature	0 - 50 °C
Operating pressure	max 8 bar

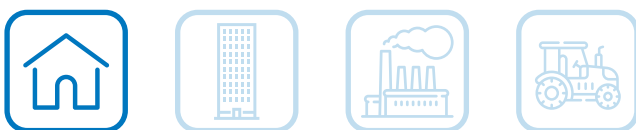
Motor

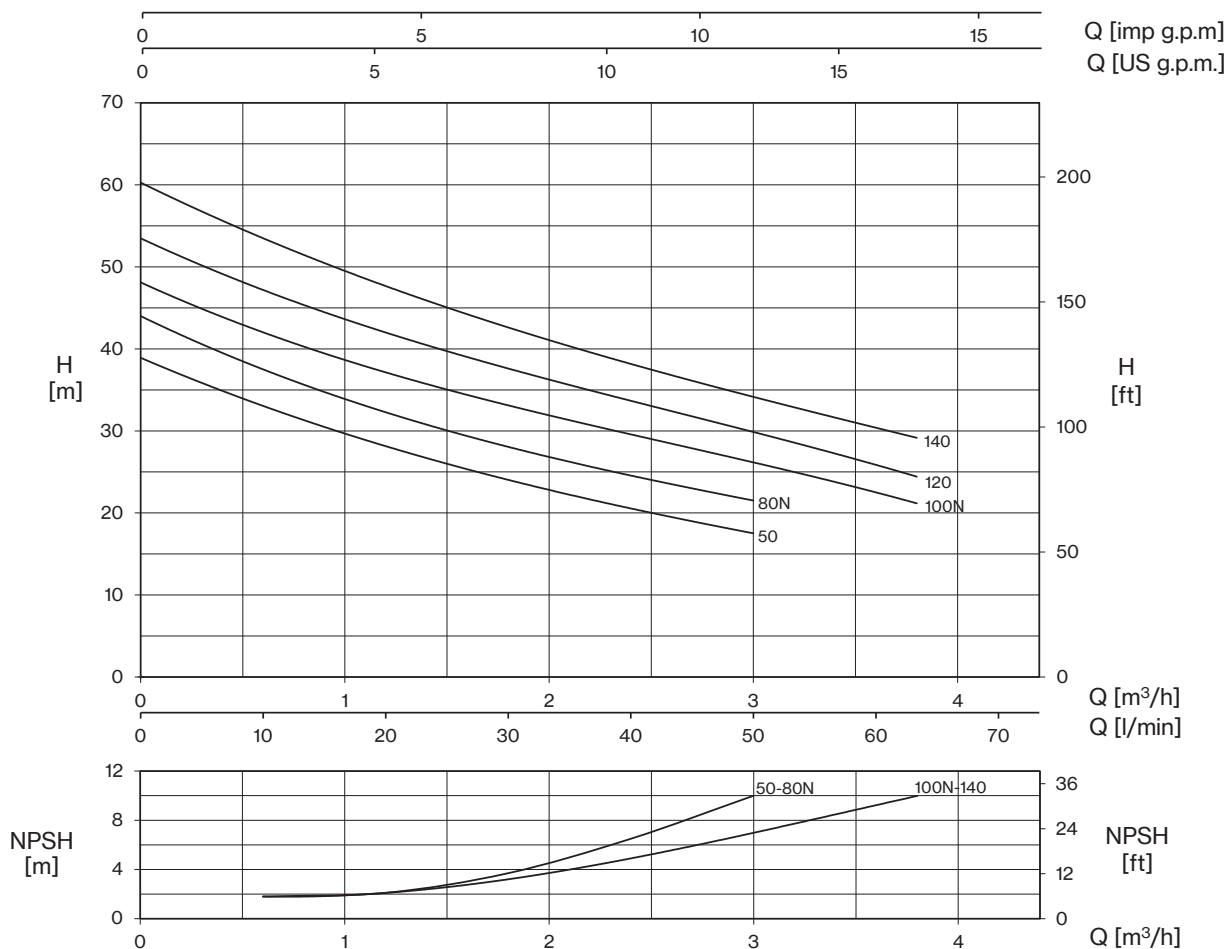
	3~ 230/400V - 50Hz
2 Poles induction motor	1~ 230V - 50Hz (with thermal protection)
Insulation class	F
Protection degree	IPX4

INOXT 100N/6 2

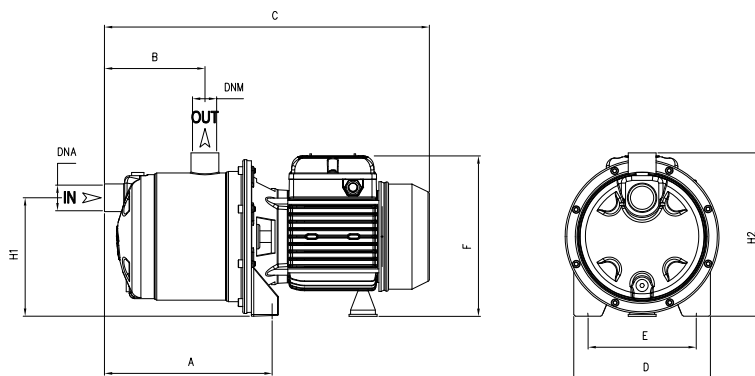


TYPE	LOTS			
	TRUCK		CONTAINER	
	PALLET (cm)	N° pumps	PALLET (cm)	N° pumps
INOX	85×110×150	60	85×110×190	80





TYPE		P2		P1 (kW)		AMPERE		Q (m³/h - l/min)							
1~	3~	HP	kW	1~	3~	1~ 230V 50 Hz	3~ 400V 50 Hz	0	0,6	1,2	1,8	2,4	3	3,6	3,8
								0	10	20	30	40	50	60	63,3
								H (m)							
INOX 50	INOXT 50	0,6	0,44	0,67	0,63	2,9	1,2	38,9	33,1	28,1	24,0	20,6	17,5		
INOX 80N	INOXT 80N	0,8	0,59	0,75	0,76	3,3	1,4	44,0	37,5	32,3	28,0	24,6	21,5		
INOX 100N	INOXT 100N	1	0,74	1,04	0,92	4,7	1,7	48,0	42,3	37,0	33,0	29,6	26,2	22,7	21,0
INOX 120	INOXT 120	1,2	0,88	1,14	1,03	5,2	1,9	53,4	47,4	41,9	37,5	33,7	29,9	26,0	24,3
INOX 140	INOXT 140	1,5	1,1	1,3	1,23	6,0	2,5	60,2	53,6	47,8	42,4	38,0	34,4	30,5	29,0



TYPE	DIMENSIONS (mm)													Kg
	A	B	C	D	E	F	H1	H2	DNA	DNM	I	L	M	
INOX 50	208	128	410	175	140	215	153	210			430	210	235	8,5
INOX 80N	208	128	410	175	140	215	153	210			430	210	235	9,5
INOX 100N	208	128	410	175	140	215	153	210	1" G	1" G	430	210	235	10,5
INOX 120	208	128	410	175	140	215	153	210			430	210	235	11
INOX 140	208	128	410	175	140	215	153	210			430	210	235	11,5



INOX (Garden version)

Portable electropumps complete with handle, cable with plug and switch.
The performances depend on adopted pump type.

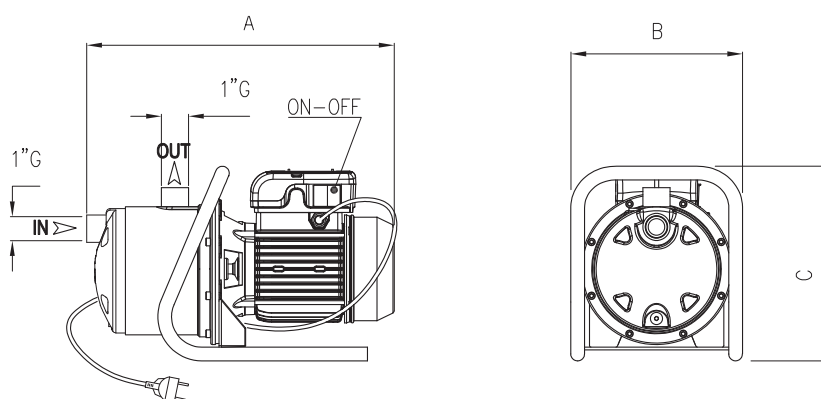


INOX

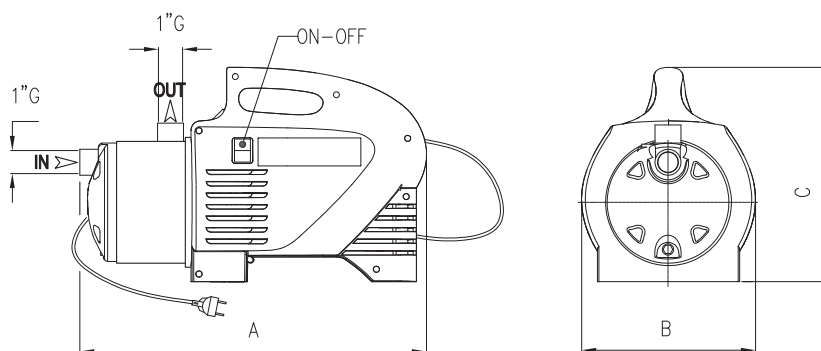


INOX BOX

TYPE	P2		P1 (kW)	Pipe		Performance	
	HP	kW	1~	Suction ("G)	Delivery ("G)	Q (l/min)	H (m)
INOX 100N	1	0,74	1,04	1	1	10-63,3	42,3-21,0



INOX / MPX



INOX / MPX

TYPE	DIMENSIONS (mm)		
	A	B	C
INOX 100N	410	175	285
INOX 100N BOX	429	209	287

