

50Hz



GENERAL CATALOGUE

Edition 2022

www.pentax-pumps.it

Where there's water there's Pentax



Viale dell'Industria, 1
37040 Veronella (VR) - Italia
Tel. +39 0442 489500
Fax +39 0442 489510
com@pentax-pumps.it
www.pentax-pumps.it

PENTAX s.p.a.



ULTRA SA

Self-priming

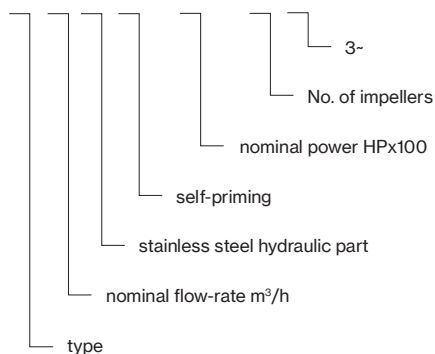


Stainless steel multistage horizontal pump. For non-loaded clean fluids, pressurizing system: irrigation, drinking and glycol water, water treatment, heating and air conditioning, washing system.

| Construction features | |
|---|--------------------------|
| Pump body, mechanical seal housing | stainless steel AISI 304 |
| Motor bracket | aluminium |
| Impellers, diffusers | stainless steel AISI 304 |
| Mechanical seal | ceramic-graphite |
| Motor shaft | stainless steel AISI 303 |
| Liquid temperature | -15 ÷ +110 °C |
| Operating pressure | max 7 bar |

| Motor | |
|--------------------------------|---|
| | 3- 230/400V-50Hz |
| 2 poles induction motor | 1- 230V-50Hz (with thermal protection up to 1.85 kW) |
| Insulation class | F |
| Protection degree | IPX4 |

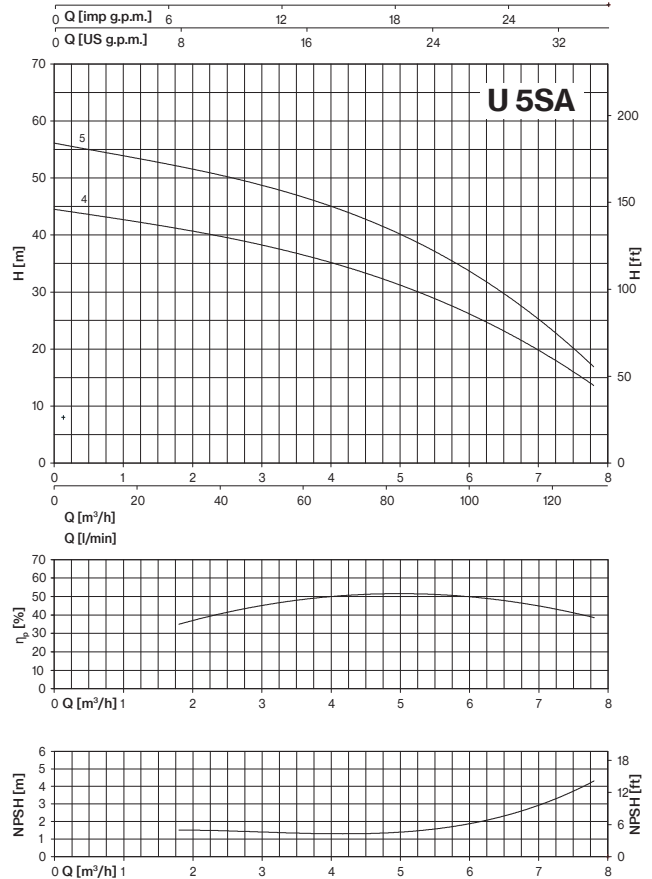
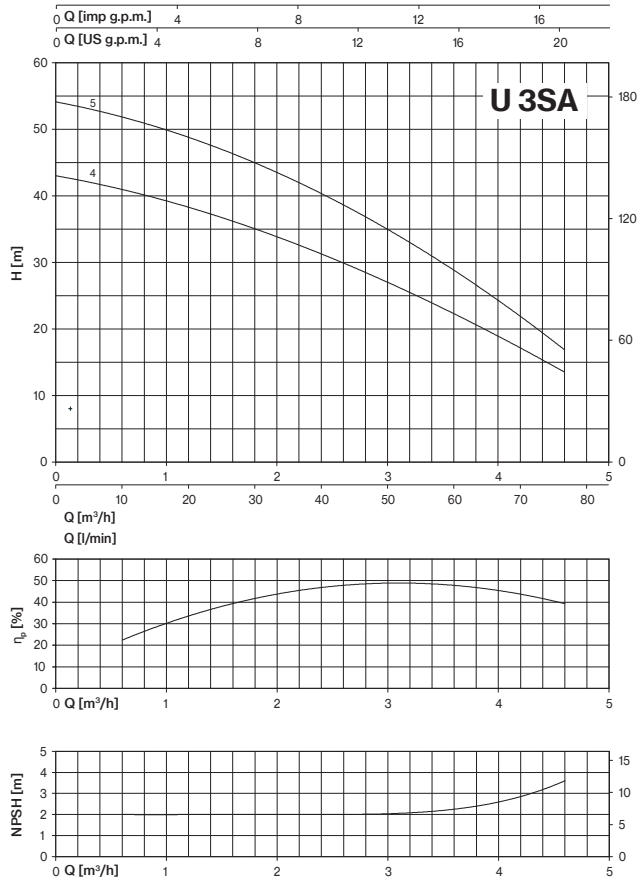
U 3 S A - 100/5 T



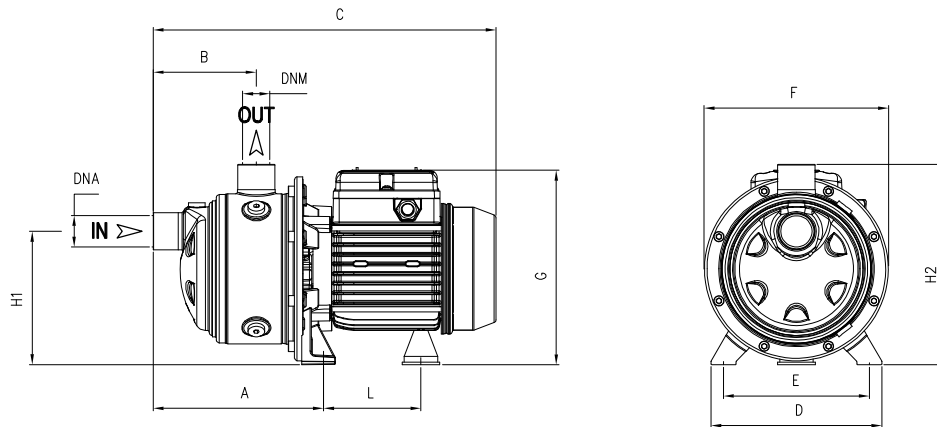
| TYPE | LOTS | | | |
|-------------|-------------|----------|-------------|----------|
| | TRUCK | | CONTAINER | |
| | PALLET (cm) | N° pumps | PALLET (cm) | N° pumps |
| U 3SA-90/4 | 85×110×160 | 70 | 85×110×185 | 80 |
| U 3SA-100/5 | 80×120×150 | 42 | 80×120×175 | 49 |
| U 5SA-120/4 | 80×120×150 | 42 | 80×120×175 | 49 |
| U 5SA-150/5 | 80×120×150 | 42 | 80×120×175 | 49 |



ULTRA SA



| TYPE | | P2 | | P1 (kW) | | AMPERE | | Q (m³/h - l/min) | | | | | | | | | | | | | | | |
|-------------|---------------|-----|------|---------|------|------------------|-----|------------------|------|------|------|------|------|------|------|------|------|------|--|--|--|--|--|
| 1~ | 3~ | HP | kW | 1~ | 3~ | 1x230 V 50 Hz | 3~ | H (m) | | | | | | | | | | | | | | | |
| | | | | | | | | 0 | 0,6 | 1,2 | 1,8 | 2,4 | 3,6 | 4,6 | 4,8 | 6 | 7 | 7 | | | | | |
| U 3SA-90/4 | U 3SA-90/4 T | 0,9 | 0,66 | 0,83 | 0,8 | 3,6 | 1,7 | 43,0 | 41,0 | 38,3 | 35,0 | 31,3 | 22,3 | 13,5 | | | | | | | | | |
| U 3SA-100/5 | U 3SA-100/5 T | 1 | 0,75 | 0,99 | 0,92 | 4,4 | 1,7 | 54,0 | 52,1 | 48,8 | 44,9 | 40,2 | 29,0 | 16, | | | | | | | | | |
| U 5SA-120/4 | U 5SA-120/4 T | 1,2 | 0,9 | 1,09 | 1,08 | 4,9 | 2,4 | 44,5 | | | 41,0 | 40,0 | 36,4 | 32,8 | 32,0 | 26,2 | 18,5 | 13,5 | | | | | |
| U 5SA-150/5 | U 5SA-150/5 T | 1,5 | 1,1 | 1,39 | 1,31 | 6,5 | 2,7 | 56,0 | | | 52,4 | 50,5 | 46,4 | 42,0 | 41,0 | 33,8 | 23,8 | 16,5 | | | | | |



| TYPE | DIMENSIONS (mm) | | | | | | | | | | | | Kg |
|-------------|-----------------|-----|-----|-----|-----|-----|-----|-------|-----|-----|------|------|------|
| | A | B | C | D | E | F | G | L | H1 | H2 | DNA | DNM | |
| U 3SA-90/4 | 190,8 | 175 | 405 | 164 | 140 | 178 | 190 | 93,7 | 128 | 192 | 1" G | 1" G | 10 |
| U 3SA-100/5 | 214,8 | 199 | 452 | 164 | 140 | 178 | 203 | 104,7 | 128 | 192 | | | 12,5 |
| U 5SA-120/4 | 190,8 | 175 | 428 | 164 | 140 | 178 | 203 | 104,7 | 128 | 192 | | | 12,5 |
| U 5SA-150/5 | 214,8 | 199 | 514 | 164 | 140 | 201 | 211 | 128,2 | 134 | 198 | | | 15,5 |

