

**50Hz**



# **GENERAL CATALOGUE**

**Edition 2022**

[www.pentax-pumps.it](http://www.pentax-pumps.it)

# Where there's water there's Pentax



Viale dell'Industria, 1  
37040 Veronella (VR) - Italia  
Tel. +39 0442 489500  
Fax +39 0442 489510  
com@pentax-pumps.it  
[www.pentax-pumps.it](http://www.pentax-pumps.it)

**PENTAX s.p.a.**



# POOL4

## Swimming Pool



High-flow self-priming pool pump available at 4 poles up to 10 HP ideal for quiet operation and larger filtration. Cataphoresis painting, screws in AISI316 and pump body in polypropylene with glass fiber give a remarkable resistance to corrosion. In addition, a large support base make the whole system particularly robust.



Bronze impeller (on request)

### Construction features

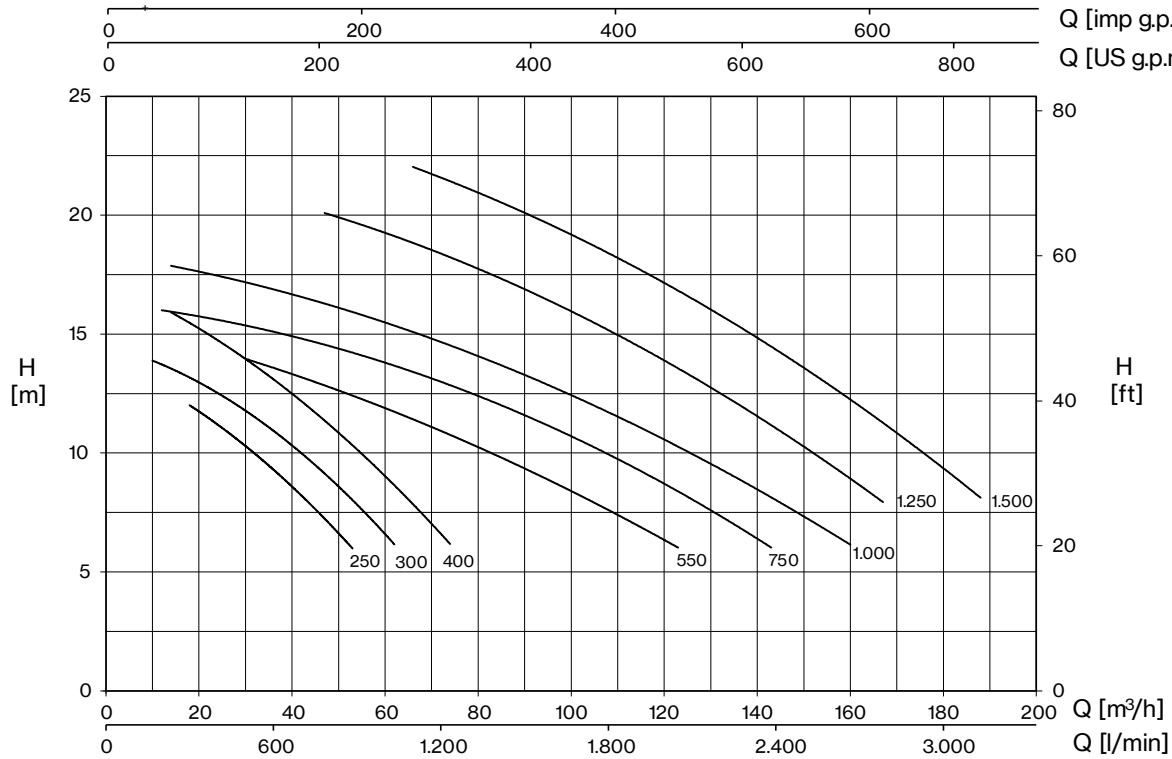
<b>Painting</b>	cataphoresis
<b>Pump body, seal housing, diffuser</b>	polypropylene + fiber glass
<b>Motor bracket</b>	aluminum
<b>Impeller</b>	Noryl®, marine bronze on request
<b>Mechanical seal</b>	ceramic-graphite-AISI 316
<b>Motor shaft</b>	stainless steel AISI 316
<b>Liquid temperature</b>	max 40 °C
<b>Pre-filter cover</b>	polycarbonate
<b>Support base</b>	Noryl®

### Motor

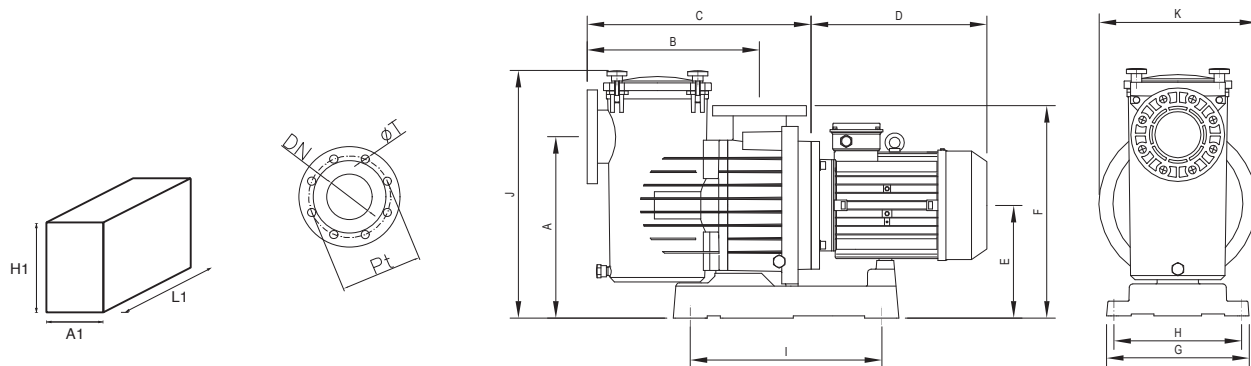
<b>2 Poles induction motor</b>	3- 230V/400V-50Hz 3- 400V/690V-50Hz
<b>Insulation class</b>	F
<b>Protection degree</b>	IP55



# POOL4



TYPE	P2		AMPERE		rpm	H (m)											DNA	DNM	Minimum size of suction pipe
			3~	3~		6	8	10	12	14	16	18	20	22					
	HP	kW	230 V	400V		Q (m³/h)													
POOL4 4-250	2,5	1,8	8,5	4,9	1450	53	43	32	18	10								110	110
POOL4 4-300	3	2,2	9,4	5,3	1450	62	54	43	26	10								110	125
POOL4 4-400	4	3	12,5	6,9	1450	74	66	56	42	29	14							110	140
POOL4 4-550	5,5	4	15,3	8,8	1450	123	104	84	57	30								110	160
POOL4 4-750	7,5	5,5		12	1450	143	127	107	85	57	12							110	180
POOL4 4-1000	10	7,5		15,8	1450	160	145	126	107	80	48	14						110	180
POOL4 2-1250	12,5	9,2		18,5	2850		167	152	136	118	99	80	47						180
POOL4 2-1500	15	11		20,9	2850		188	177	162	146	130	112	92	66					200



TYPE	DIMENSIONS (mm)															Kg		
	A	B	C	D	E	F	G	H	I	J	K	DN	ØT	Pt	A1		H1	L1
POOL4 4-250	420	405	530	310	265	495	335	300	450	590	370				385	595	840	42
POOL4 4-300	420	405	530	310	265	495	335	300	450	590	370				385	595	840	42,5
POOL4 4-400	420	405	530	310	265	495	335	300	450	590	370				385	595	840	44,5
POOL4 4-550	420	405	530	335	265	495	335	300	450	590	370				385	715	1170	53,4
POOL4 4-750	420	405	508	380	265	495	335	300	450	590	370	110	16	180	385	715	1170	66
POOL4 4-1000	420	405	508	380	265	495	335	300	450	590	370				385	715	1170	76
POOL4 2-1250	420	405	508	380	265	495	335	300	450	590	370				385	715	1170	84,5
POOL4 2-1500	420	405	508	380	265	495	335	300	450	590	370				385	715	1170	85,5

