

50Hz



GENERAL CATALOGUE

Edition 2022

www.pentax-pumps.it

Where there's water there's Pentax



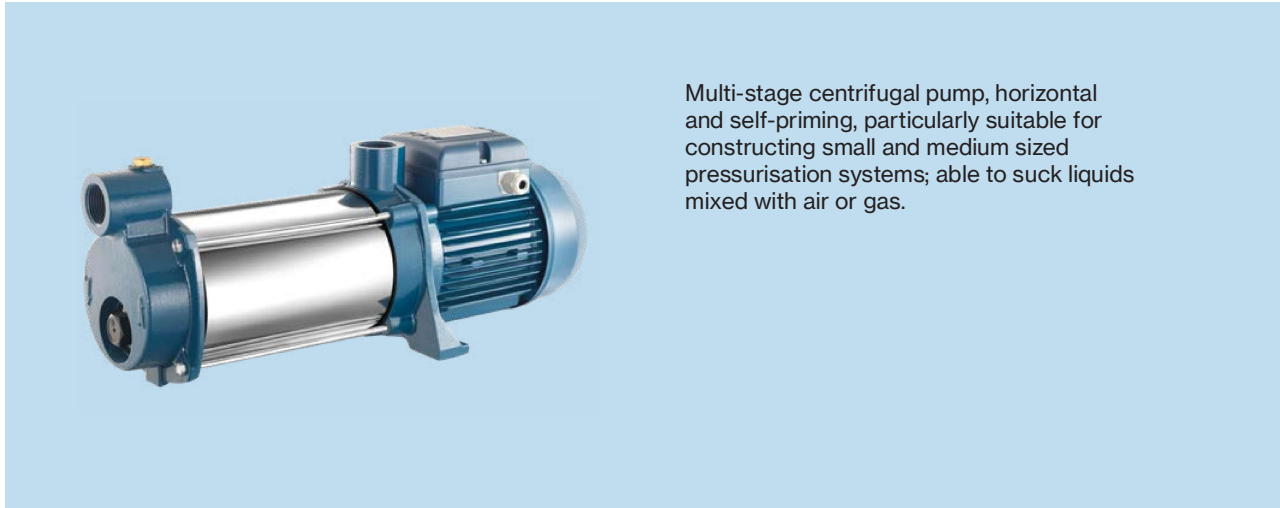
Viale dell'Industria, 1
37040 Veronella (VR) - Italia
Tel. +39 0442 489500
Fax +39 0442 489510
com@pentax-pumps.it
www.pentax-pumps.it

PENTAX s.p.a.



MP/A

Self-priming



Multi-stage centrifugal pump, horizontal and self-priming, particularly suitable for constructing small and medium sized pressurisation systems; able to suck liquids mixed with air or gas.

Construction features

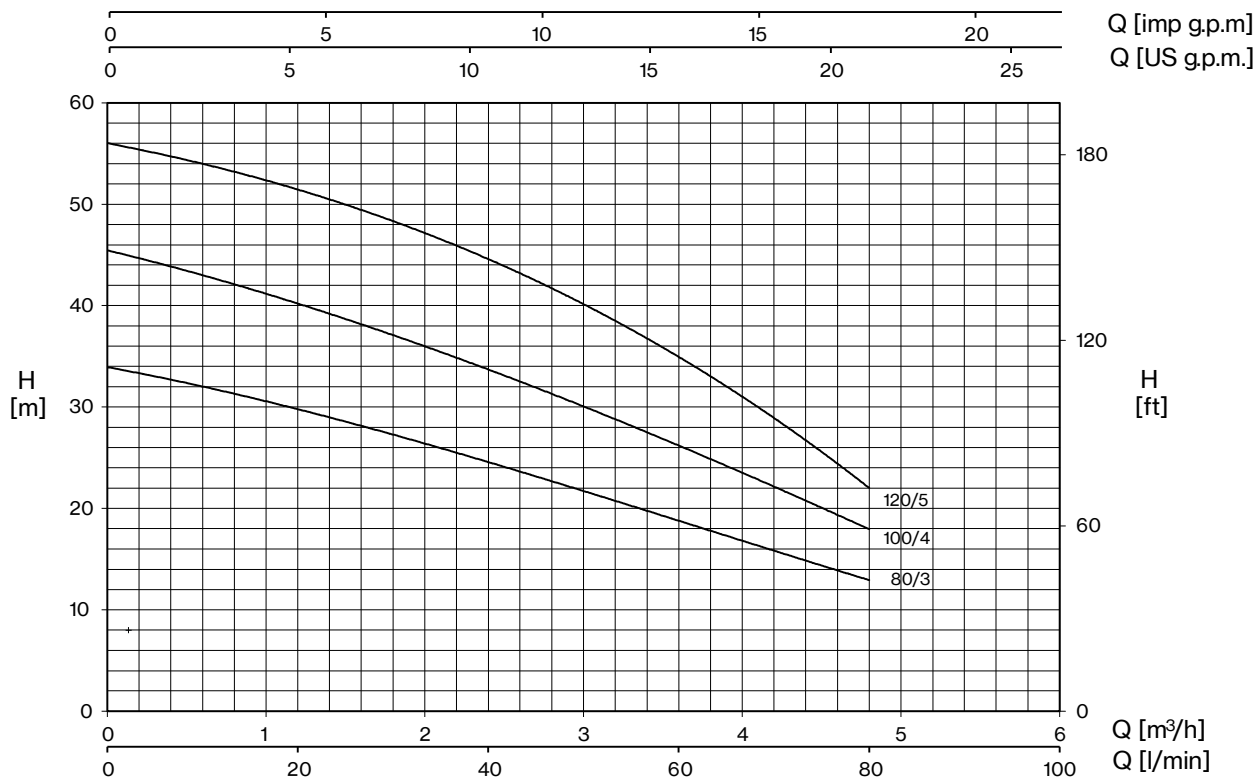
Pump body	cast iron
Motor bracket	cast iron
Impeller	Noryl®
Mechanical seal	ceramic-graphite
Motor shaft	stainless steel AISI 416
Liquid temperature	0 - 50 °C
Operating pressure	max 11 bar

Motor

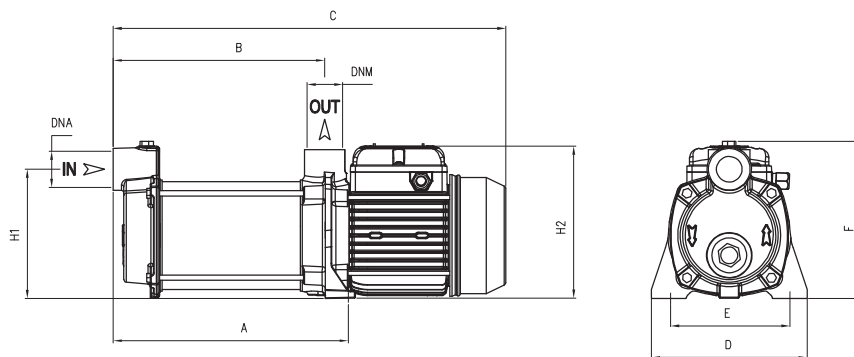
	3~ 230/400V-50Hz
2 poles induction motor	1~ 230V-50Hz (with thermal protector)
Insulation class	F
Protection degree	IPX4

TYPE	LOTS			
	TRUCK		CONTAINER	
	PALLET (cm)	N° pumps	PALLET (cm)	N° pumps
MP/A	80×120×150	48	80×120×190	64





TYPE		P2		P1 (kW)		AMPERE		Q (m³/h - l/min)				
1~	3~	HP	kW	1~	3~	1~ 1x230 V 50 Hz	3~ 3x400 V 50 Hz	0	1,2	2,4	3,6	4,8
								0	20	40	60	8
								H (m)				
MP 80/3 A	MPT 80/3 A	0,8	0,59	0,83	0,88	3,8	1,6	34	29,5	25	18,5	13
MP 100/4 A	MPT 100/4 A	1	0,74	1,07	1,1	5	1,9	45,5	40	34	26	18
MP 120/5 A	MPT 120/5 A	1,2	0,88	1,27	1,33	6,1	2,3	56	51,5	44,5	35	22



TYPE	DIMENSIONS (mm)													Kg
	A	B	C	D	E	F	H1	H2	DNA	DNM	I	L	M	
MP 80/3 A	245	224	425	180	140	185	150	175			440	200	215	14
MP 100/4 A	270	240	450	180	140	185	150	175	1" G	1" G	500	200	215	15,5
MP 120/5 A	295	264	475	180	140	185	150	175			500	200	215	16