

50Hz



GENERAL CATALOGUE

Edition 2022

www.pentax-pumps.it

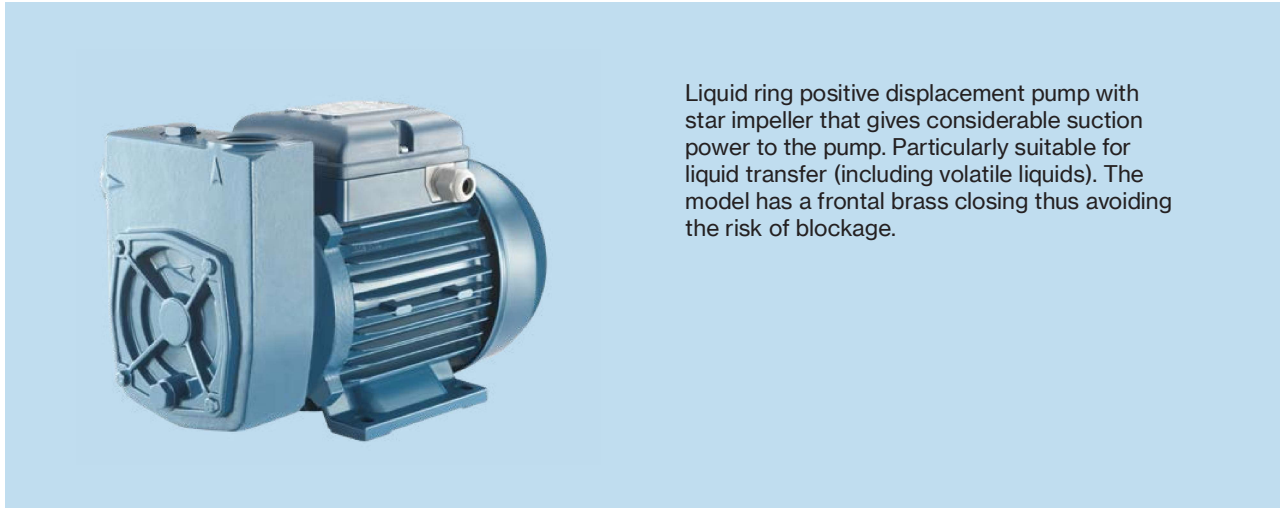
Where there's water there's Pentax



Viale dell'Industria, 1
37040 Veronella (VR) - Italia
Tel. +39 0442 489500
Fax +39 0442 489510
com@pentax-pumps.it
www.pentax-pumps.it

PENTAX s.p.a.





Liquid ring positive displacement pump with star impeller that gives considerable suction power to the pump. Particularly suitable for liquid transfer (including volatile liquids). The model has a frontal brass closing thus avoiding the risk of blockage.

Construction features

Pump body	cast iron and brass
Motor bracket	cast iron
Impeller	brass
Mechanical seal	ceramic-graphite
Motor shaft	stainless steel AISI 416
Liquid temperature	0 - 90 °C
Operating pressure	max 8 bar

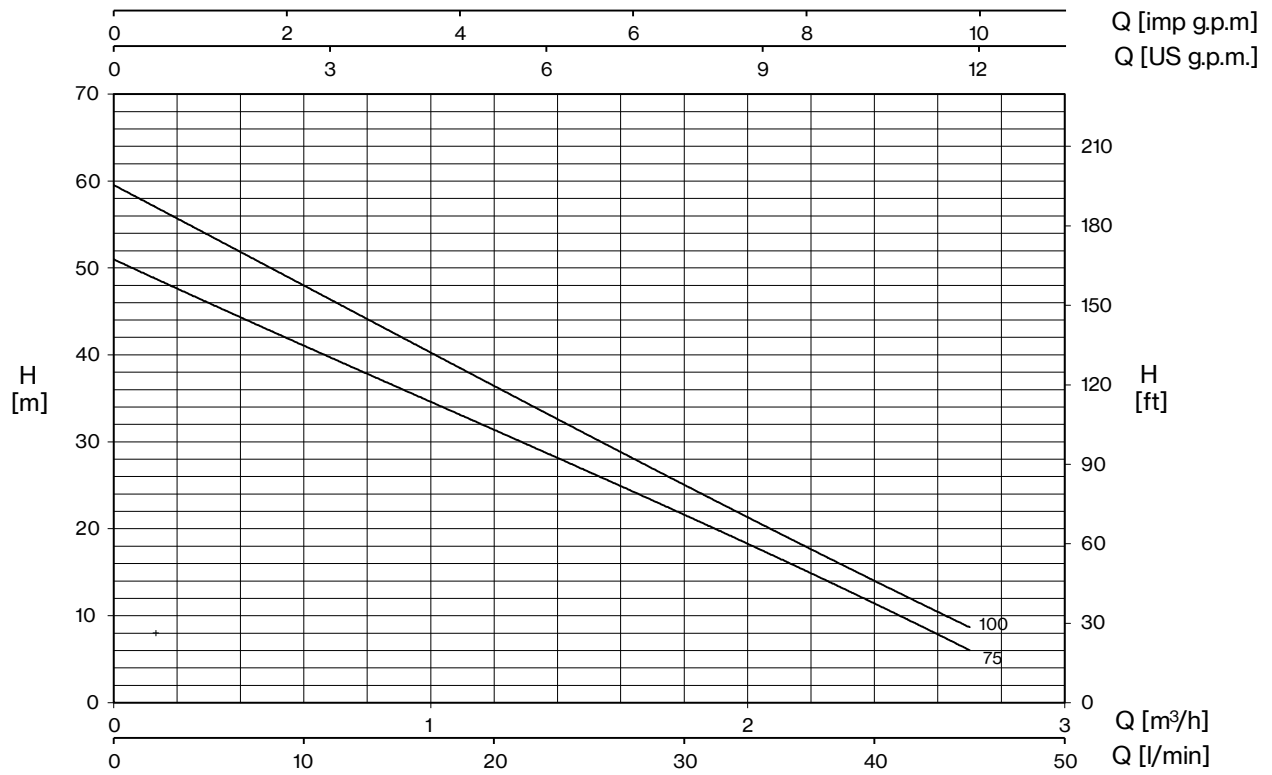
Motor

	3- 230/400V-50Hz
2 Poles induction motor	1- 230V-50Hz (with thermal protection)
Insulation class	F
Protection degree	IPX4

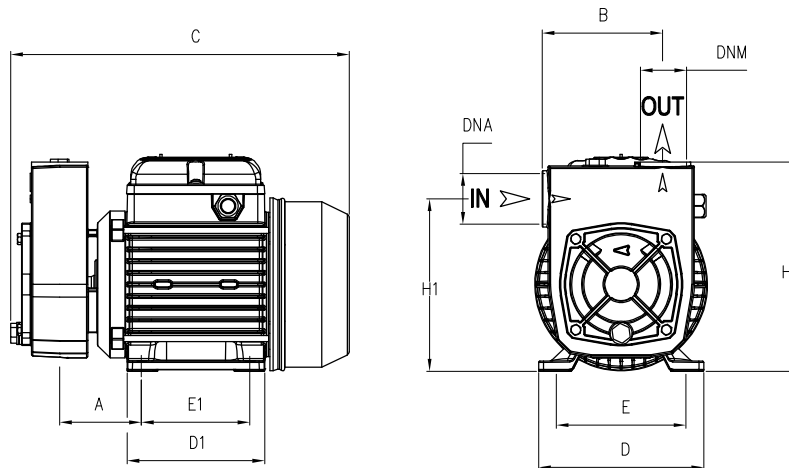
TYPE	LOTS			
	TRUCK		CONTAINER	
	PALLET (cm)	N° pumps	PALLET (cm)	N° pumps
MD 75 -100	85×110×170	105	85×110×190 80×120×170	135 136



MD



TYPE		P2		P1 (kW)		AMPERE		Q (m³/h - l/min)					
1~	3~	HP	kW	1~	3~	1x230 V 50 Hz	3x400 V 50 Hz	0,3	0,6	1,2	1,8	2,4	2,7
								5	10	20	30	40	4
								H (m)					
MD 75	MDT 75	0,8	0,59	1,03	0,94	5	1,7	46	41	31,5	21,5	11	
MD 100	MDT 100	1,0	0,74	1,17	0,98	5,4	2,1	53	48	37	25	13,5	



TYPE	DIMENSIONS (mm)														
	A	B	C	D	D1	E	E1	H1	H2	DNA	DNM	I	L	M	
MD 75	70	98,5	270	135	112	112	89	141	170	1"G	1"G	310	185	195	11,1
MD 100	70	98,5	270	135	112	112	89	141	170	1"G	1"G	310	185	195	11,8

