

**50Hz**



# **GENERAL CATALOGUE**

**Edition 2022**

[www.pentax-pumps.it](http://www.pentax-pumps.it)

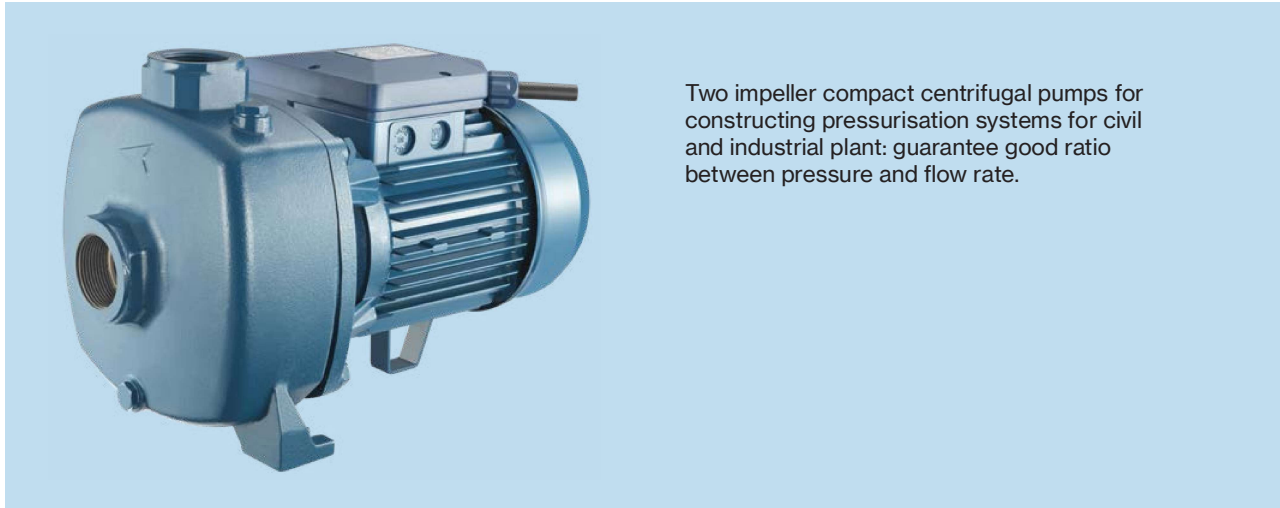
# Where there's water there's Pentax



Viale dell'Industria, 1  
37040 Veronella (VR) - Italia  
Tel. +39 0442 489500  
Fax +39 0442 489510  
com@pentax-pumps.it  
[www.pentax-pumps.it](http://www.pentax-pumps.it)

**PENTAX s.p.a.**

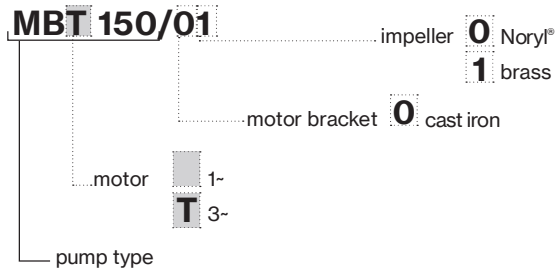




Two impeller compact centrifugal pumps for constructing pressurisation systems for civil and industrial plant: guarantee good ratio between pressure and flow rate.

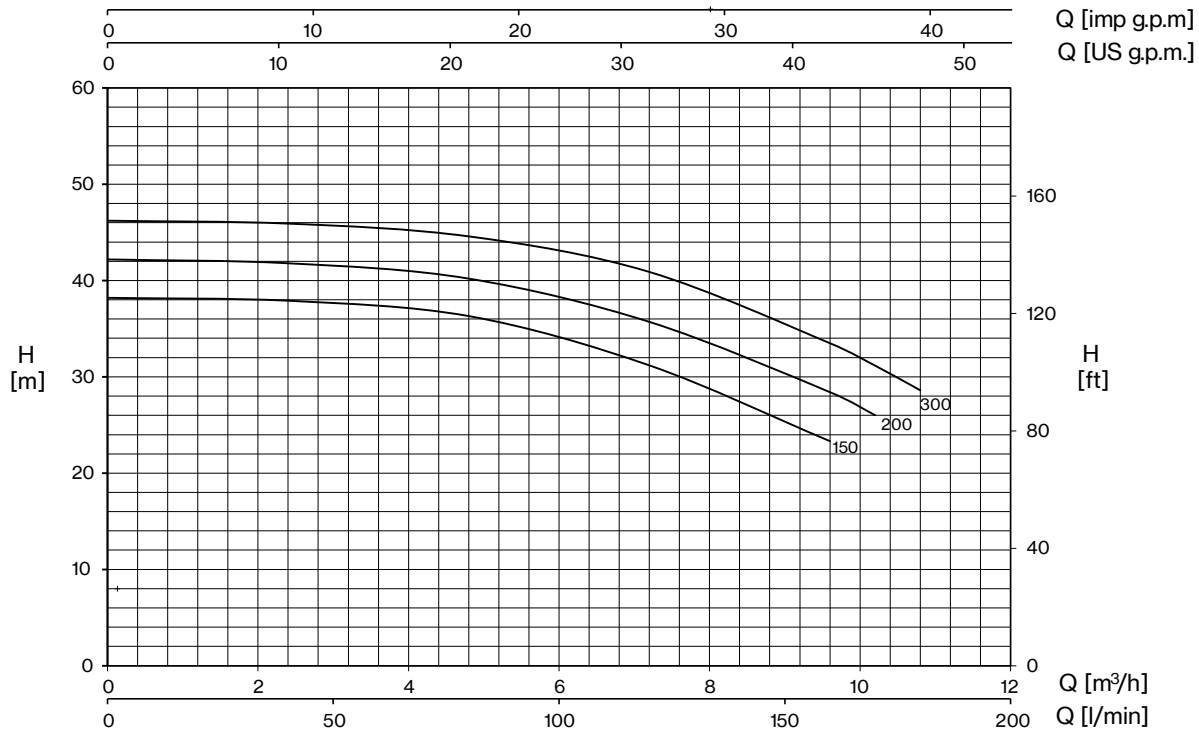
Construction features	
<b>Pump body</b>	cast iron
<b>Motor bracket</b>	cast iron
<b>Impeller</b>	Noryl® or brass
<b>Mechanical seal</b>	ceramic-graphite
<b>Motor shaft</b>	stainless steel AISI 303
<b>Liquid temperature</b>	0 - 50 °C
<b>Operating pressure</b>	max 8 bar

Motor	
	3- 230/400V-50Hz
<b>2 Poles induction motor</b>	1- 230V-50Hz (with thermal protection)
<b>Insulation class</b>	F
<b>Protection degree</b>	IPX4

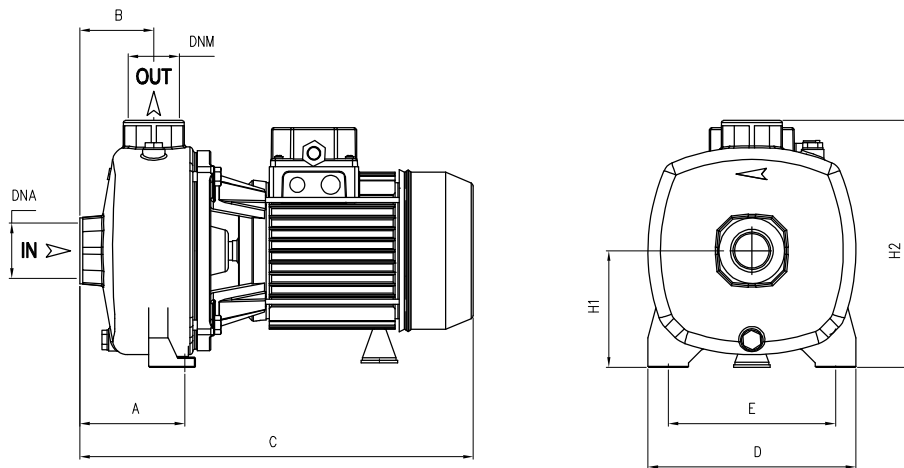


TYPE	LOTS			
	TRUCK		CONTAINER	
	PALLET (cm)	N° pumps	PALLET (cm)	N° pumps
<b>MB</b>	85×110×130	40	85×110×190	60





TYPE		P2		P1 (kW)		AMPERE		Q (m³/h - l/min)						
1-	3-	HP	kW	1-	3-	1-	3-	0	2,4	4,8	7,2	9,6	10,2	10,8
						1x230 V 50 Hz	3x400 V 50 Hz	0	40	80	120	160	170	180
								H (m)						
MB 150	MBT 150	1,5	1,1	1,6	1,5	7,2	3,1	38,2	37,9	36,3	31,2	23,3		
MB 200	MBT 200	2	1,5	1,85	1,75	8,4	3,4	42,2	41,8	40,2	35,7	28,4	26,0	
MB 300	MBT 300	3	2,2	2,15	2,05	9,7	4,3	46,2	45,9	44,6	40,9	33,5	31,2	28,6



TYPE	DIMENSIONS (mm)													
	A	B	C	D	E	H1	H2	DNA	DNM	I	L	M	Kg	T
MB 150	108	73	385	205	165	115	242	1"1/2G	1"1/4G	405	225	295	22	T 21
MB 200	108	73	385	205	165	115	242	1"1/2G	1"1/4G	405	225	295	22,5	T 21,5
MB 300	108	73	385	205	165	115	242	1"1/2G	1"1/4G	405	225	295	23,5	T 22,5