

**50Hz**



# GENERAL CATALOGUE

**Edition 2022**

[www.pentax-pumps.it](http://www.pentax-pumps.it)

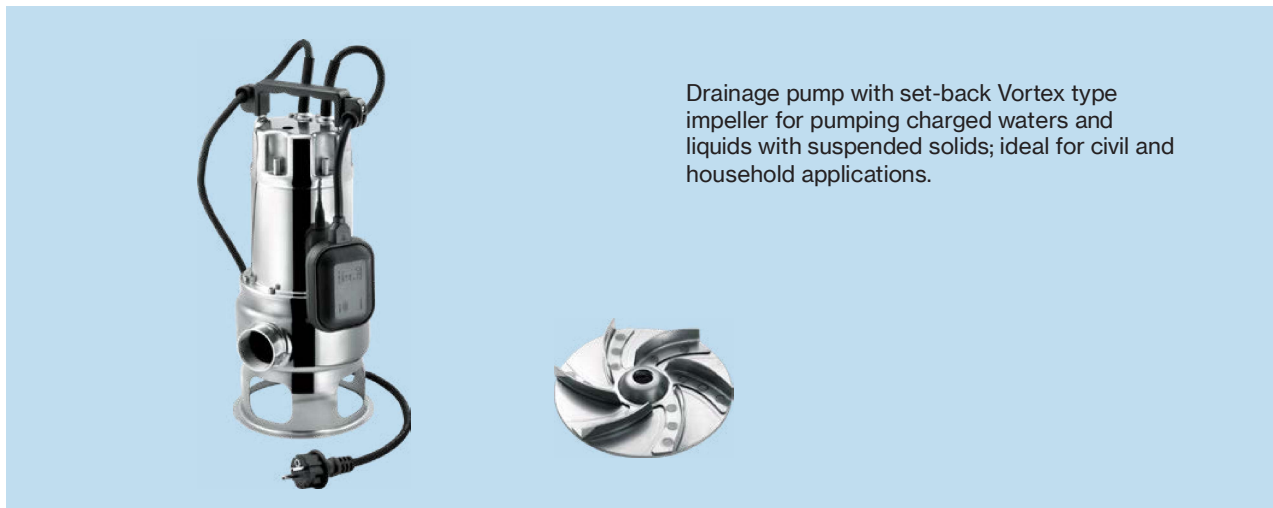
# Where there's water there's Pentax



Viale dell'Industria, 1  
37040 Veronella (VR) - Italia  
Tel. +39 0442 489500  
Fax +39 0442 489510  
com@pentax-pumps.it  
[www.pentax-pumps.it](http://www.pentax-pumps.it)


**PENTAX s.p.a.**





Drainage pump with set-back Vortex type impeller for pumping charged waters and liquids with suspended solids; ideal for civil and household applications.

### Construction features

<b>Pump body</b>	stainless steel with openings 1 1/2 and 2"
<b>Shell, motor cover, base support</b>	stainless steel
 <b>Impeller</b>	stainless steel set-back Vortex
<b>Mechanical seal</b>	double seal with oil barrier; silicon carbide on pump side, sealing ring on motor side
<b>Motor shaft</b>	stainless steel AISI 430
<b>Passage of solids</b>	Ø max 28 mm
<b>Depth of immersion</b>	max 5 m
<b>Liquid temperature</b>	0 - 40 °C
<b>Cable</b>	H07 RNF, 10 m
<b>G</b>	float switch

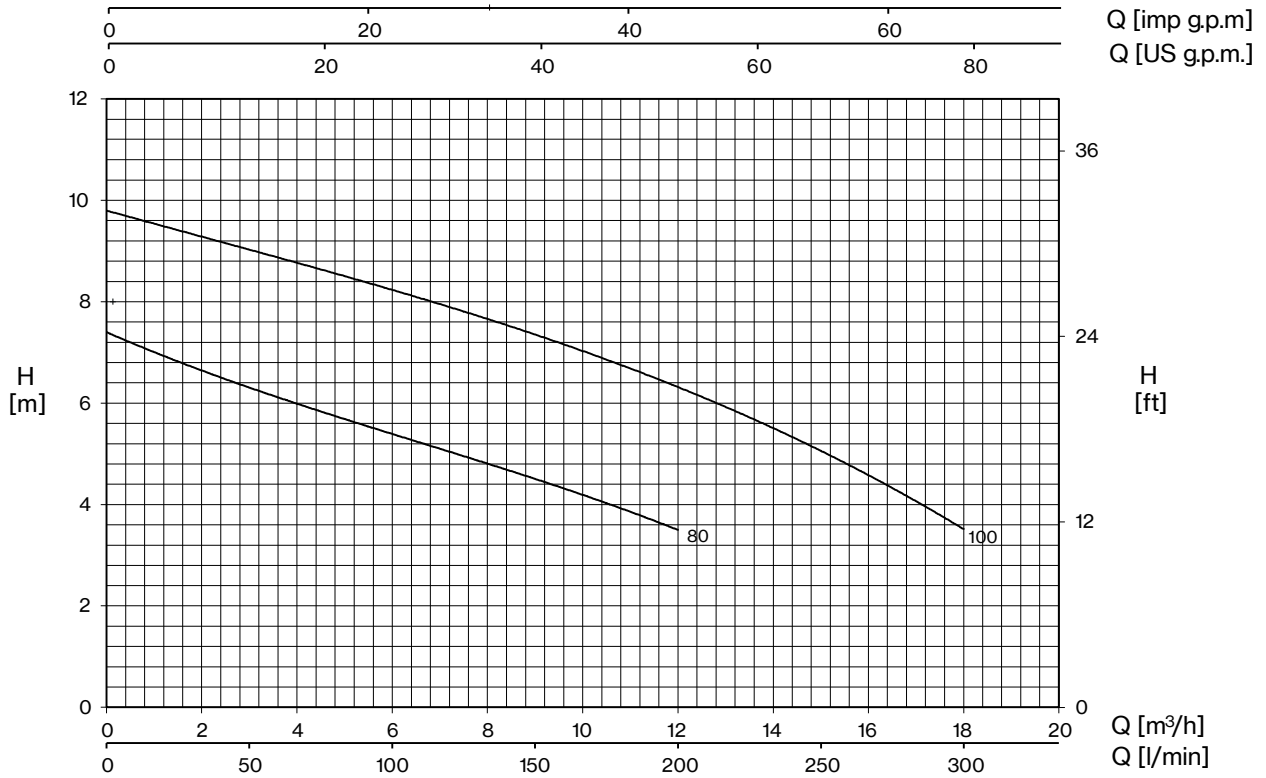
### Motor

	3- 3x400V-50Hz
<b>2 Poles induction motor</b>	1- 1x230V-50Hz (with thermal protection)
<b>Insulation class</b>	F
<b>Protection degree</b>	IPX8

TYPE	LOTS			
	TRUCK		CONTAINER	
	PALLET (cm)	N° pumps	PALLET (cm)	N° pumps
<b>DX</b>	80×120×145	48	80×120×190	76

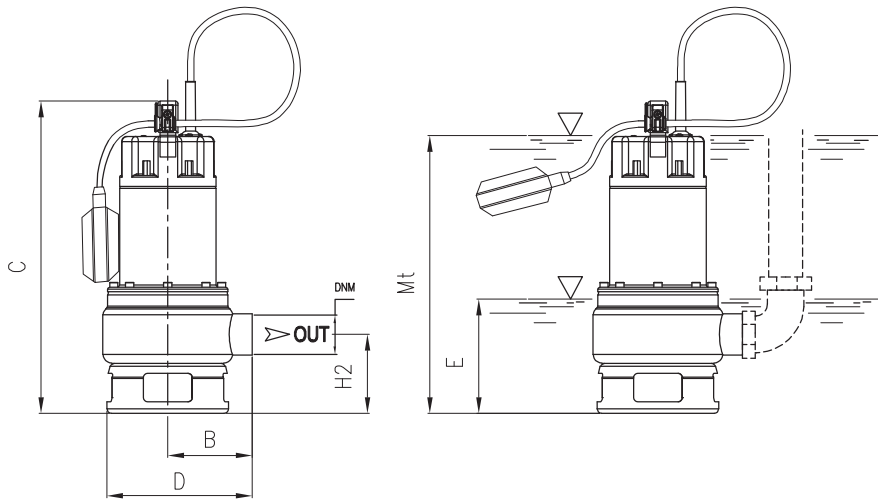


# DX



TYPE		W	AMPERE		Q (m³/h - l/min)						
1~	3~		1~	3~	0	3	6	9	12	15	18
			1x230 V 50 Hz	3x400 V 50 Hz	0	50	100	150	200	250	300
H (m)											
DX 80 (G)	DXT 80	1050	4,7	2,2	7,4	6,3	5,4	4,5	3,5		
DX 80/2 (G)	DXT 80/2	1050	4,7	2,2	7,4	6,3	5,4	4,5	3,5		
DX 100 (G)	DXT 100	1350	6,2	2,8	9,8	9	8,3	7,3	6,3	5,1	3,5
DX 100/2 (G)	DXT 100/2	1350	6,2	2,8	9,8	9	8,3	7,3	6,3	5,1	3,5

E: maximum emptying level  
Mt: lowest level for continuous duty



TYPE	DIMENSIONS (mm)										Kg
	B	C	D	E	H2	Mt	DNM	I	L	M	
DX 80 (G)	104	400	183	125	112	280	1"1/2G	250	183	448	10,5
DX 80/2 (G)	114	400	183	125	112	280	2"G	250	183	448	10,5
DX 100 (G)	104	400	183	125	112	280	1"1/2G	250	183	448	12
DX 100/2 (G)	114	400	183	125	112	280	2"G	250	183	448	12

