

**50Hz**



# **GENERAL CATALOGUE**

**Edition 2022**

[www.pentax-pumps.it](http://www.pentax-pumps.it)

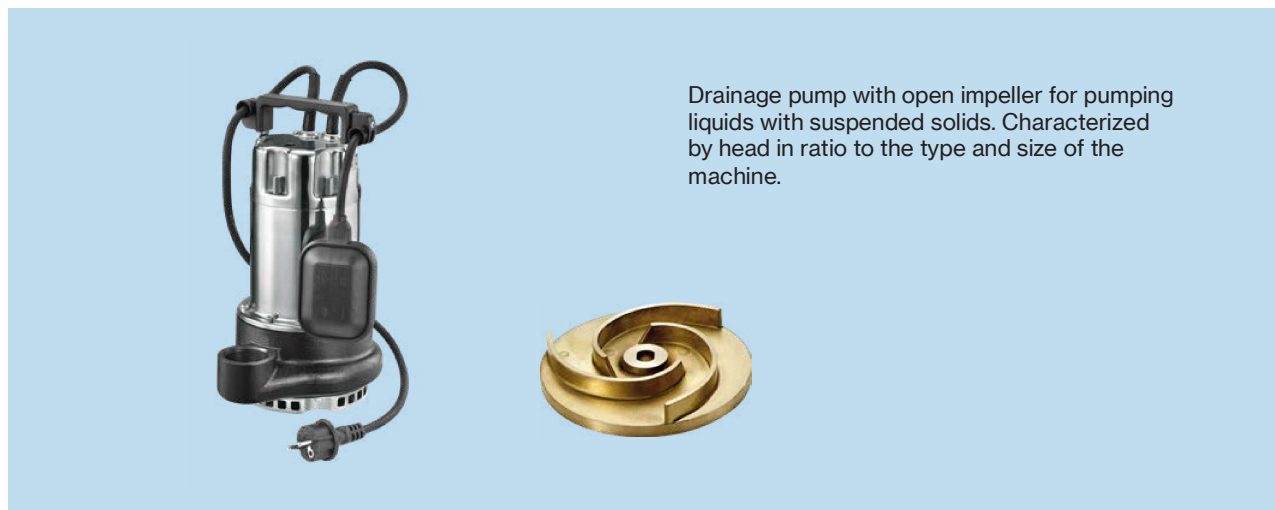
# Where there's water there's Pentax



Viale dell'Industria, 1  
37040 Veronella (VR) - Italia  
Tel. +39 0442 489500  
Fax +39 0442 489510  
com@pentax-pumps.it  
[www.pentax-pumps.it](http://www.pentax-pumps.it)


**PENTAX s.p.a.**





Drainage pump with open impeller for pumping liquids with suspended solids. Characterized by head in ratio to the type and size of the machine.

### Construction features

<b>Pump body</b>	cast iron
<b>Shell, motor cover, base support</b>	stainless steel
 <b>Impeller</b>	brass
<b>Mechanical seal</b>	double seal with oil barrier; silicon carbide on pump side, sealing ring on motor side
<b>Motor shaft</b>	stainless steel AISI 430
<b>Passage of solids</b>	Ø max 10 mm
<b>Depth of immersion</b>	max 5 m
<b>Liquid temperature</b>	0 - 40 °C
<b>Cable</b>	H07 RNF, 10 m
<b>G</b>	float switch

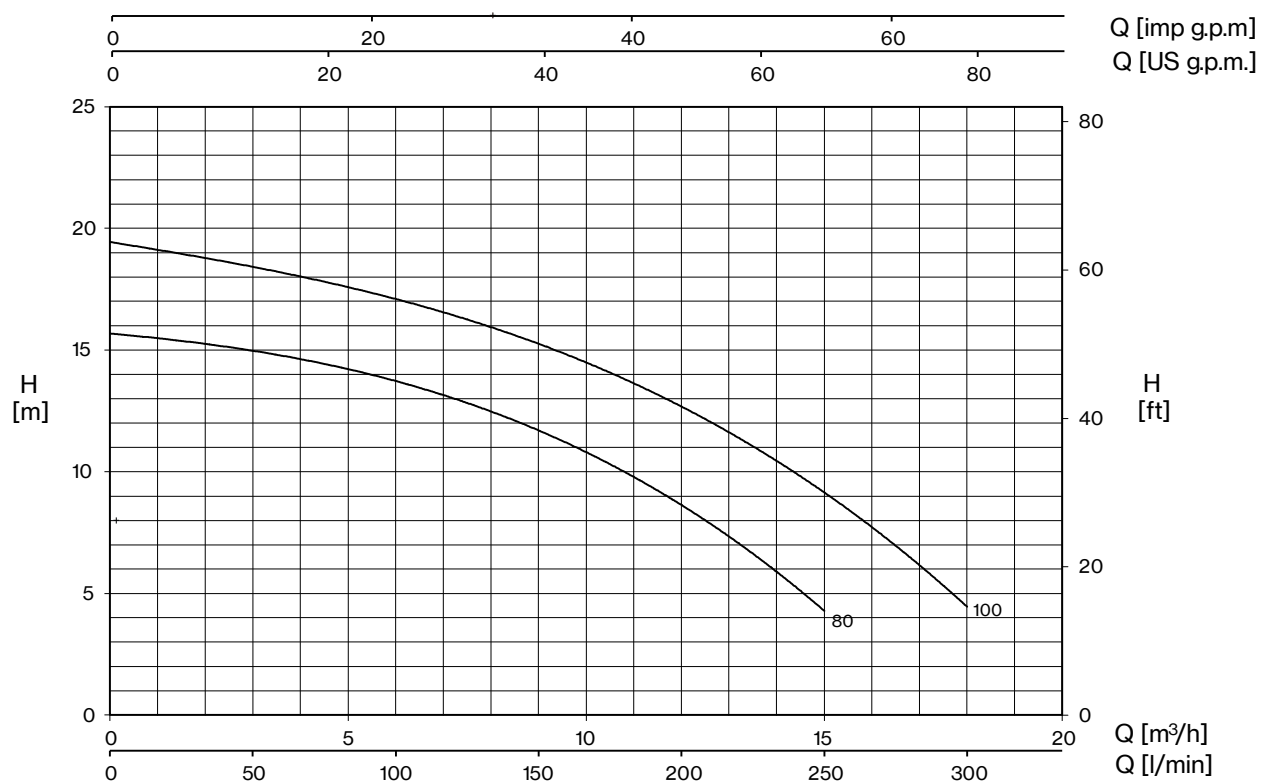
### Motor

	3- 3x400V-50Hz
<b>2 Poles induction motor</b>	1- 1x230V-50Hz (with thermal protection)
<b>Insulation class</b>	F
<b>Protection degree</b>	IPX8

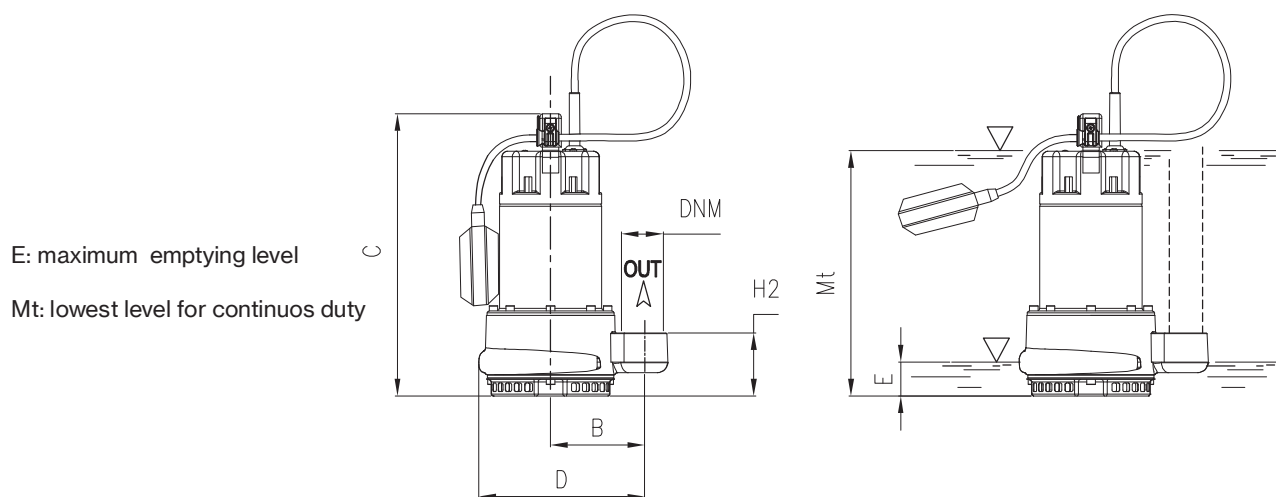
TYPE	LOTS			
	TRUCK		CONTAINER	
	PALLET (cm)	N° pumps	PALLET (cm)	N° pumps
<b>DH</b>	80×120×125	57	80×120×165	76



# DH



TYPE		W	AMPERE		Q (m³/h - l/min)						
1~	3~		1~	3~	0	3	6	9	12	15	18
			1x230 V 50 Hz	3x400 V 50 Hz	0	50	100	150	200	250	300
H (m)											
DH 80 (G)	DHT 80	980	4,3	2,1	15,7	14,9	13,8	11,7	8,6	4,3	
DH 100 (G)	DHT 100	1370	6,2	2,8	19,4	18,5	17,1	15,2	12,6	9,3	4,4



TYPE	DIMENSIONS (mm)										Kg
	B	C	D	E	H2	Mt	DNM	I	L	M	
DH 80 (G)	105	330	218.5	45	70	190	1" 1/2G	180	255	380	14,5
DH 100 (G)	105	330	218.5	45	70	190	1" 1/2G	180	255	380	16

