

50Hz



GENERAL CATALOGUE

Edition 2022

www.pentax-pumps.it

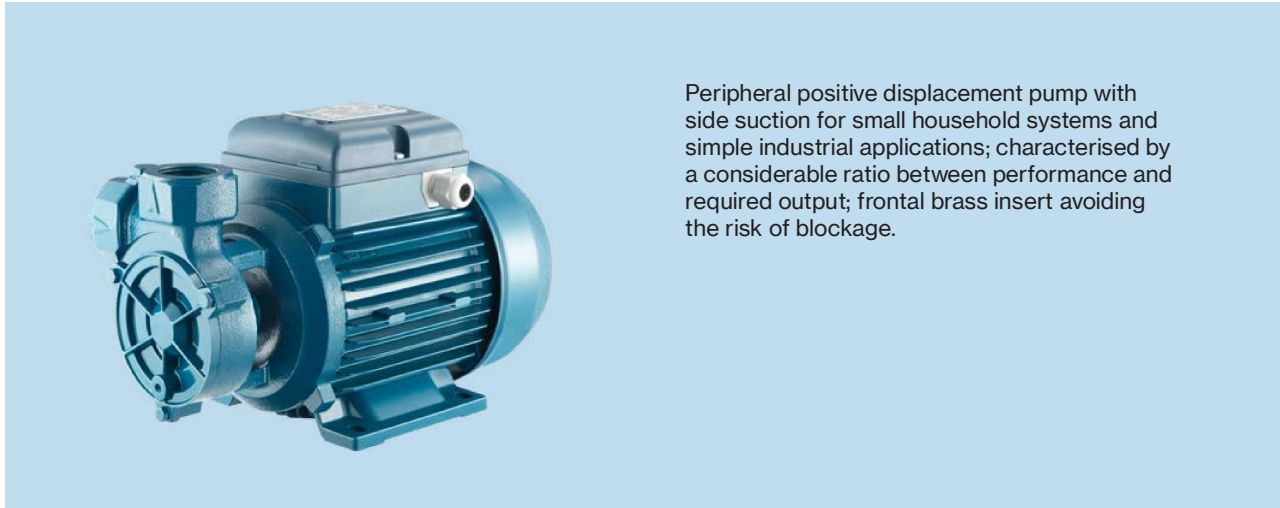
Where there's water there's Pentax



Viale dell'Industria, 1
37040 Veronella (VR) - Italia
Tel. +39 0442 489500
Fax +39 0442 489510
com@pentax-pumps.it
www.pentax-pumps.it

PENTAX s.p.a.





Peripheral positive displacement pump with side suction for small household systems and simple industrial applications; characterised by a considerable ratio between performance and required output; frontal brass insert avoiding the risk of blockage.

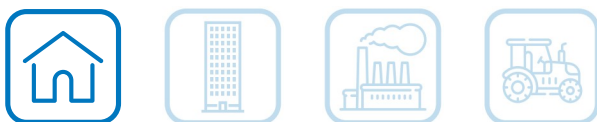
Construction features

Pump body	cast iron and brass
Motor bracket	cast iron
Impeller	brass
Mechanical seal	ceramic-graphite
Motor shaft	stainless steel AISI 416
Liquid temperature	0 - 90 °C
Operating pressure	max 8 bar

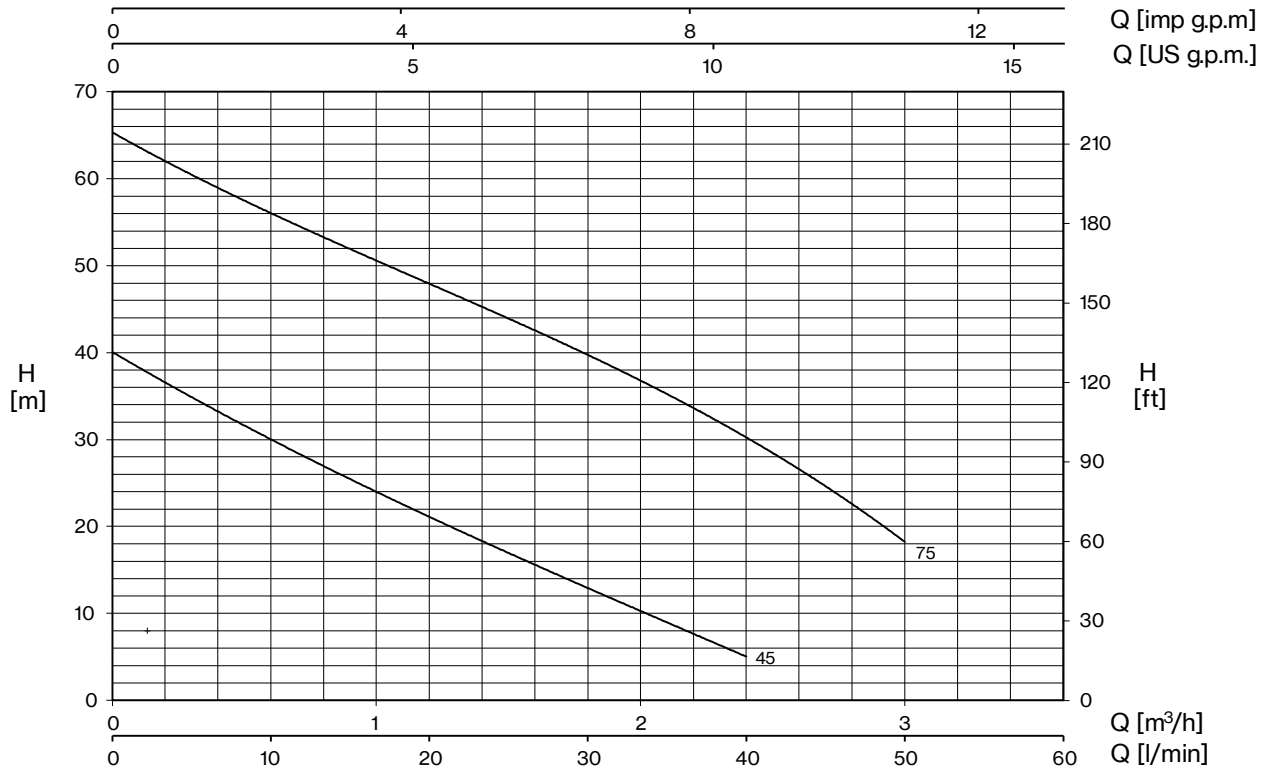
Motor

	3- 230/400V-50Hz
2 Poles induction motor	1- 230V-50Hz (with thermal protection)
Insulation class	F
Protection degree	IPX4

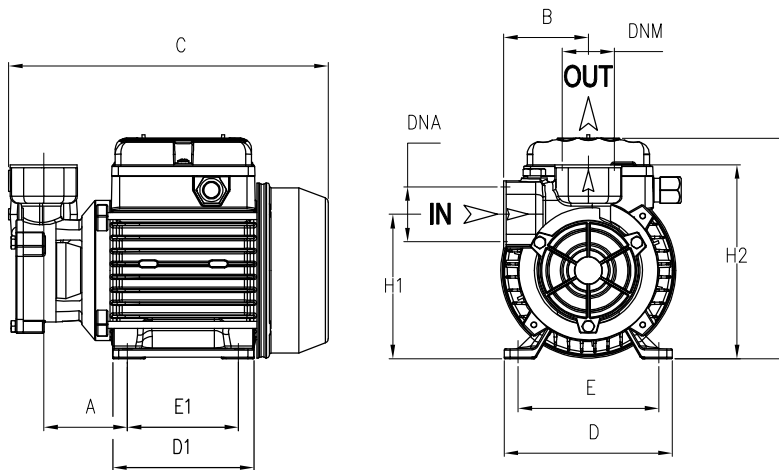
TYPE	LOTS			
	TRUCK		CONTAINER	
	PALLET (cm)	N° pumps	PALLET (cm)	N° pumps
CP 45	85×110×170	207	85×110×190	220
	80×120×170	198	80×120×190	230
CP 75	85×110×170	105	85×110×190	135
			80×120×170	136



CP



TYPE		P2		P1 (kW)		AMPERE		Q (m³/h - l/min)					
1~	3~	HP	kW	1~	3~	1~ 50 Hz	3~ 50 Hz	0,3	0,6	1,2	1,		
								5	10	20	30	40	50
								H (m)					
CP 45	CPT 45	0,5	0,37	0,5	0,5	2,3	1	35	30	21	13	5	
CP 75	CPT 75	1	0,74	1,11	1,13	5,2	2	61	56	48	39	31	



TYPE	DIMENSIONS (mm)															Kg
	A	B	C	D	D1	E	E1	F	H1	H2	DNA	DNM	I	L	M	
CP 45	67	60	235	120	101	97	80	165	105	140	1"G	1"G	265	145	165	5,7
CP 75	71,5	60	263	135	112	112	89	172	124	156	1"G	1"G	310	185	195	9,2

