

50Hz



GENERAL CATALOGUE

Edition 2022

www.pentax-pumps.it

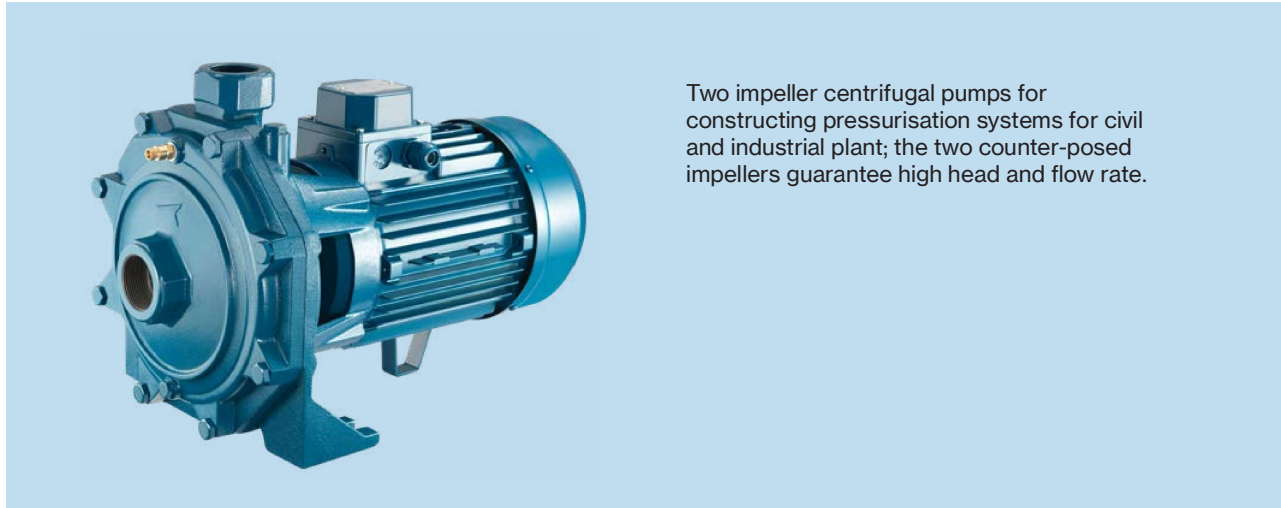
Where there's water there's Pentax



Viale dell'Industria, 1
37040 Veronella (VR) - Italia
Tel. +39 0442 489500
Fax +39 0442 489510
com@pentax-pumps.it
www.pentax-pumps.it

PENTAX s.p.a.

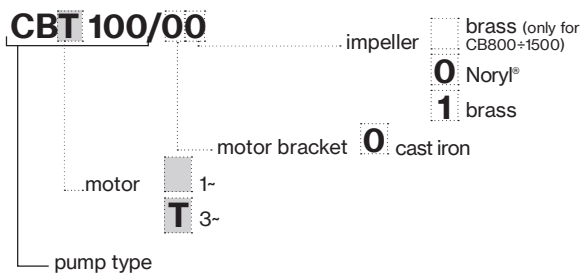




Two impeller centrifugal pumps for constructing pressurisation systems for civil and industrial plant; the two counter-posed impellers guarantee high head and flow rate.

| Construction features | |
|---------------------------|--|
| Pump body | cast iron |
| Motor bracket | cast iron |
| Impeller | Noryl® or brass (CB100÷900) brass (CB800÷1500) |
| Mechanical seal | ceramic-graphite |
| Motor shaft | stainless steel AISI 303 stainless steel AISI 416 (CB100) |
| Liquid temperature | Noryl® impeller: 0 - 50 °C brass impeller: 0 - 90 °C |
| Operating pressure | max 6 bar (CB100) max 11 bar (CB160-1500) |

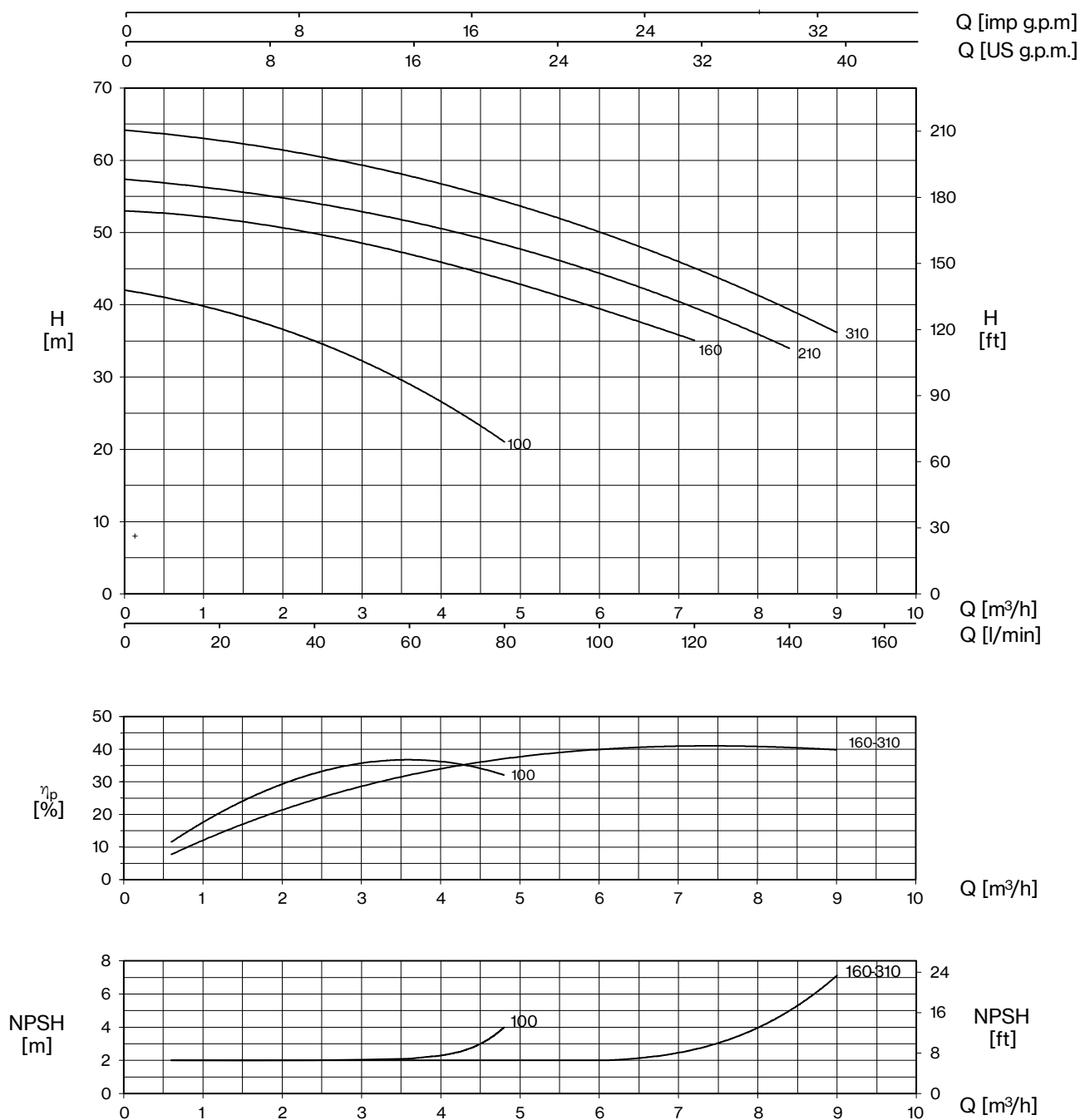
| Motor | |
|--------------------------------|--|
| | 3- 230/400V-50Hz P ≤ 4kW 3- 400/690V-50Hz P > 4kW |
| 2 Poles induction motor | 1- 230V-50Hz (with thermal protection up to MEC 80) |
| Insulation class | F |
| Protection degree | IPX4 IPX5 (CB800÷1500) |



| TYPE | LOTS | | | |
|-----------------|-------------|----------|-------------|----------|
| | TRUCK | | CONTAINER | |
| | PALLET (cm) | N° pumps | PALLET (cm) | N° pumps |
| CB 100 | 90×110×145 | 65 | 90×110×195 | 91 |
| CB 160- CBT 310 | 85×110×130 | 40 | 85×110×190 | 60 |
| CB 310 | 85×110×150 | 24 | 85×110×180 | 30 |
| CB 400-900 | 80×120×150 | 24 | 80×120×180 | 30 |
| CBT 800-1500 | 100×120×140 | 18 | 100×120×185 | 24 |



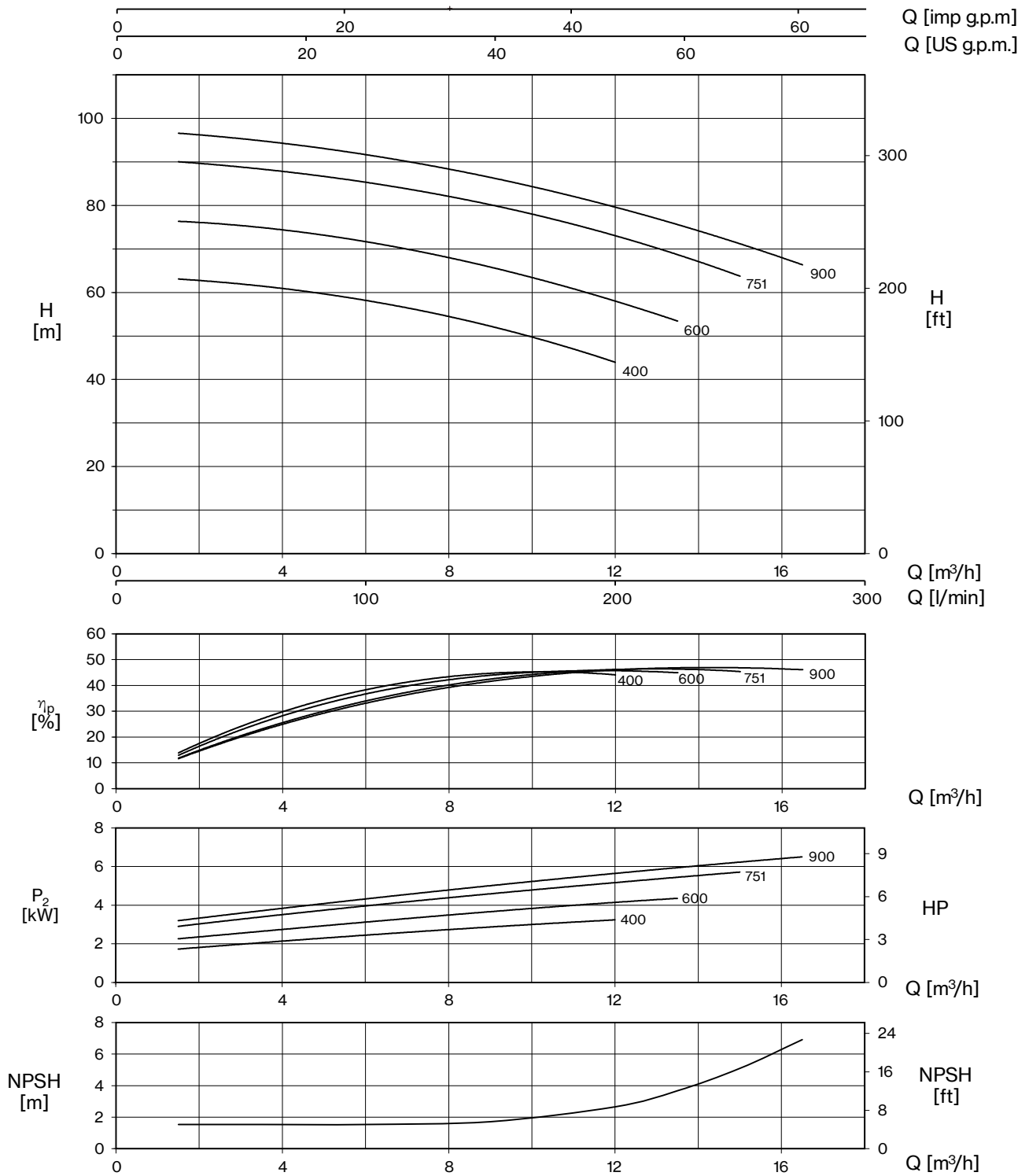
CB



| TYPE | | P2 | | P1 (kW) | | AMPERE | | Q (m³/h - l/min) | | | | | | | | | | | |
|--------|---------|-----|------|---------|------|------------------|------------------|------------------|------|------|------|------|------|------|------|------|------|-----|--|
| 1~ | 3~ | HP | kW | 1~ | 3~ | 1x230 V 50 Hz | 3x400 V 50 Hz | 0 | 0,6 | 1,2 | 1,8 | 2,4 | 3,6 | 4,8 | 6 | 7,2 | 8,4 | 9 | |
| | | | | | | | | 0 | 10 | 20 | 30 | 40 | 60 | 80 | 100 | 120 | 140 | 150 | |
| | | | | | | | | H (m) | | | | | | | | | | | |
| CB 100 | CBT 100 | 1 | 0,74 | 1,17 | 1,15 | 5,4 | 2,4 | 42 | 40,8 | 39,4 | 37,4 | 34,7 | 29,2 | 21 | | | | | |
| CB 160 | CBT 160 | 1,5 | 1,1 | 2,30 | 2,20 | 10,2 | 4,1 | 53 | 52,5 | 52 | 51 | 50 | 46,9 | 43,3 | 39,7 | 35 | | | |
| CB 210 | CBT 210 | 2 | 1,5 | 2,60 | 2,45 | 11,5 | 4,8 | 57,3 | 56,9 | 56 | 55,1 | 54 | 51,5 | 48,4 | 44,4 | 39,5 | 34 | | |
| CB 310 | CBT 310 | 3 | 2,2 | 2,9 | 2,80 | 13,2 | 5,2 | 64 | 63,5 | 63 | 61,9 | 60,6 | 57,7 | 54,1 | 50 | 45,4 | 39,4 | 36 | |



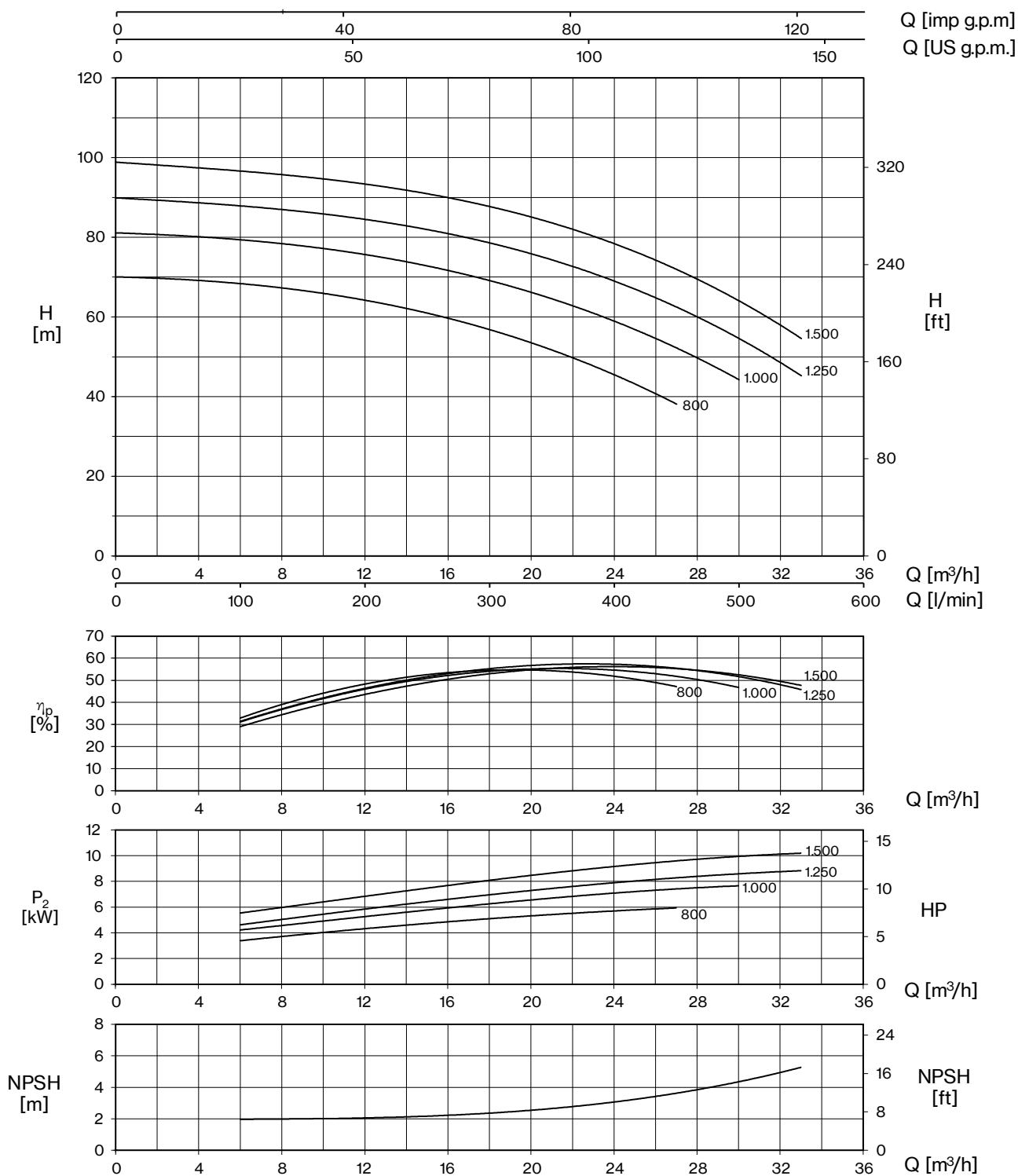
CB



| TYPE | | P2 | | P1 (kW) | | AMPERE | | Q (m³/h - l/min) | | | | | | | | | | | | | | | |
|--------|---------|-------|-----|---------|-----|------------------|------------------|------------------|------|------|------|------|------|------|------|------|------|------|------|--|--|--|--|
| 1- | 3- | | | | | 1- | 3- | 0 | 1,5 | 3,0 | 4,5 | 6,0 | 7,5 | 9,0 | 10,5 | 12 | 13,5 | 15,0 | 16 | | | | |
| | | HP | kW | 1- | 3- | 1x230 V 50 Hz | 3x400 V 50 Hz | 0 | 25 | 50 | 75 | 100 | 125 | 150 | 175 | 200 | 225 | 250 | 275 | | | | |
| | | H (m) | | | | | | | | | | | | | | | | | | | | | |
| CB 400 | CBT 400 | 4 | 3 | 3,7 | 3,8 | 16,4 | 6,7 | 63,6 | 63,1 | 62,0 | 60,3 | 58,2 | 55,5 | 52,3 | 48,4 | 43,9 | | | | | | | |
| CB 600 | CBT 600 | 5,5 | 4 | 5,2 | 5,0 | 23,3 | 9,1 | 76,9 | 76,4 | 75,4 | 73,8 | 71,7 | 69,0 | 65,9 | 62,1 | 58,0 | 53 | | | | | | |
| - | CBT 751 | 7,5 | 5,5 | | 6,5 | | 11,5 | 90,7 | 90,0 | 88,9 | 87,3 | 85,3 | 82,9 | 80,1 | 76,8 | 73,1 | 68,8 | 63,7 | | | | | |
| - | CBT 900 | 10 | 7,5 | | 7,3 | | 13,3 | 97,5 | 96,6 | 95,4 | 93,7 | 91,7 | 89,2 | 86,5 | 83,3 | 79,8 | 75,2 | 71,2 | 66,4 | | | | |

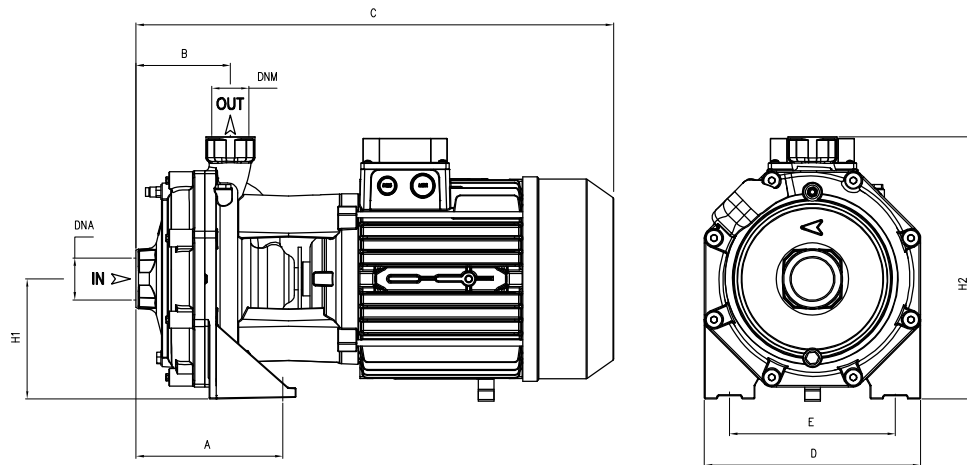


CB



| TYPE | P2 | | P1 (kW) | AMPERE 3-hh | Q (m³/h - l/min) | | | | | | | |
|----------|-------|-----|------------|------------------|------------------|------|------|------|------|------|------|------|
| | | | | | 0 | 6 | 12 | 18 | 24 | 27 | 30 | 33 |
| | HP | kW | 3- | 3x400 V 50 Hz | 0 | 100 | 200 | 300 | 400 | 450 | 500 | 550 |
| | H (m) | | | | | | | | | | | |
| CBT 800 | 7,5 | 5,5 | 6,7 | 11,1 | 70,0 | 68,5 | 63,9 | 57,1 | 45,3 | 38,2 | | |
| CBT 1000 | 10 | 7,5 | 8,5 | 13,9 | 80,7 | 80,4 | 75,0 | 68,5 | 59,7 | 52,6 | 43,7 | |
| CBT 1250 | 12,5 | 9,2 | 9,8 | 16,3 | 89,5 | 88,8 | 84,1 | 77,7 | 69,7 | 63,0 | 54,2 | 45,1 |
| CBT 1500 | 15 | 11 | 11,2 | 18,6 | 98,3 | 97,8 | 93,5 | 85,7 | 78,9 | 73,3 | 64,0 | 54,0 |





| TYPE | DIMENSIONS (mm) | | | | | | | | | | | | | |
|-----------------|-----------------|------|-----|-----|-----|-----|-----|---------|---------|-----|-----|-----|------|--------|
| | A | B | C | D | E | H1 | H2 | DNA | DNM | I | L | M | Kg | T |
| CB 100 | 122 | 72 | 328 | 180 | 140 | 98 | 228 | 1" G | 1" G | 350 | 195 | 265 | 15,5 | T 15 |
| CB 160 | 115 | 82 | 385 | 210 | 170 | 110 | 265 | 1"1/4 G | 1" G | 405 | 225 | 295 | 23,5 | T 22,5 |
| CB 210 | 115 | 82 | 385 | 210 | 170 | 110 | 265 | 1"1/4 G | 1" G | 405 | 225 | 295 | 24,5 | T 23,5 |
| CB 310 | 115 | 82 | 385 | 210 | 170 | 110 | 265 | 1"1/4 G | 1" G | 405 | 225 | 295 | 29,5 | T 24,5 |
| CB 400 | 145 | 95,5 | 498 | 266 | 212 | 135 | 305 | 1"1/2 G | 1"1/4 G | 553 | 274 | 318 | 48 | T 44 |
| CB 600 | 145 | 95,5 | 498 | 266 | 212 | 135 | 305 | 1"1/2 G | 1"1/4 G | 553 | 274 | 318 | 56,5 | T 48 |
| CBT 751 | 145 | 95,5 | 532 | 266 | 212 | 135 | 305 | 1"1/2 G | 1"1/4 G | 553 | 274 | 318 | 56 | |
| CBT 900 | 145 | 95,5 | 532 | 266 | 212 | 135 | 305 | 1"1/2 G | 1"1/4 G | 553 | 274 | 318 | 62 | |
| CBT 800 | 190 | 120 | 605 | 275 | 210 | 150 | 330 | 2" G | 1"1/4 G | 722 | 290 | 370 | 78 | |
| CBT 1000 | 190 | 120 | 605 | 275 | 210 | 150 | 330 | 2" G | 1"1/4 G | 722 | 290 | 370 | 84 | |
| CBT 1250 | 190 | 120 | 645 | 275 | 210 | 150 | 330 | 2" G | 1"1/4 G | 722 | 290 | 370 | 91,5 | |
| CBT 1500 | 190 | 120 | 645 | 275 | 210 | 150 | 330 | 2" G | 1"1/4 G | 722 | 290 | 370 | 95,5 | |

