

**50Hz**



# **GENERAL CATALOGUE**

**Edition 2022**

[www.pentax-pumps.it](http://www.pentax-pumps.it)

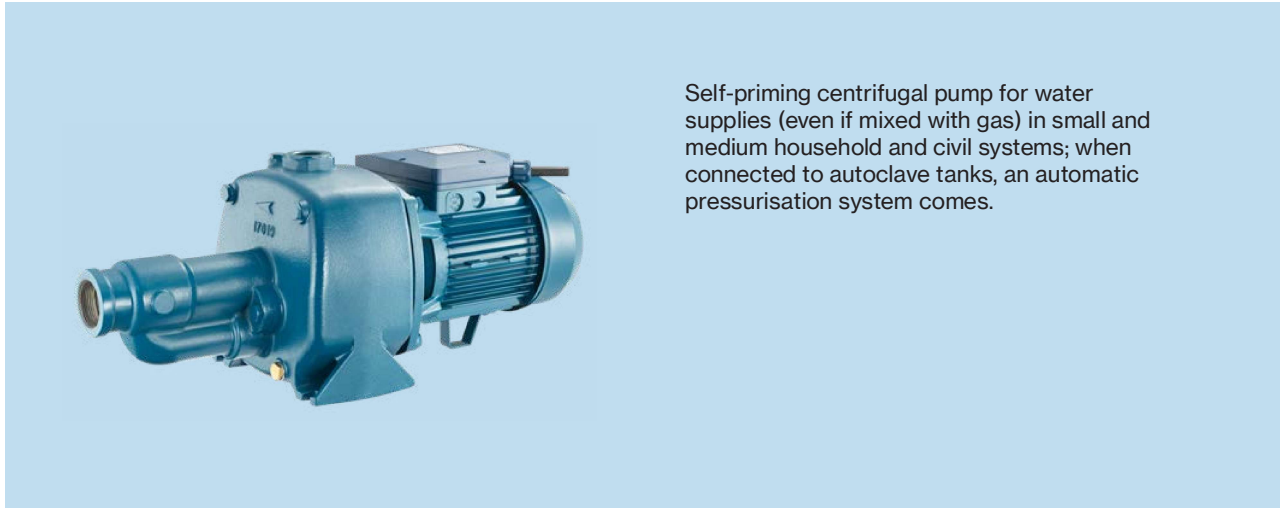
# Where there's water there's Pentax



Viale dell'Industria, 1  
37040 Veronella (VR) - Italia  
Tel. +39 0442 489500  
Fax +39 0442 489510  
com@pentax-pumps.it  
[www.pentax-pumps.it](http://www.pentax-pumps.it)

**PENTAX s.p.a.**

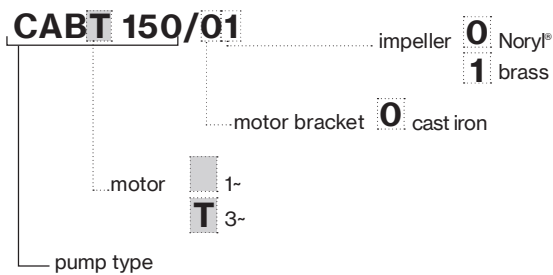




Self-priming centrifugal pump for water supplies (even if mixed with gas) in small and medium household and civil systems; when connected to autoclave tanks, an automatic pressurisation system comes.

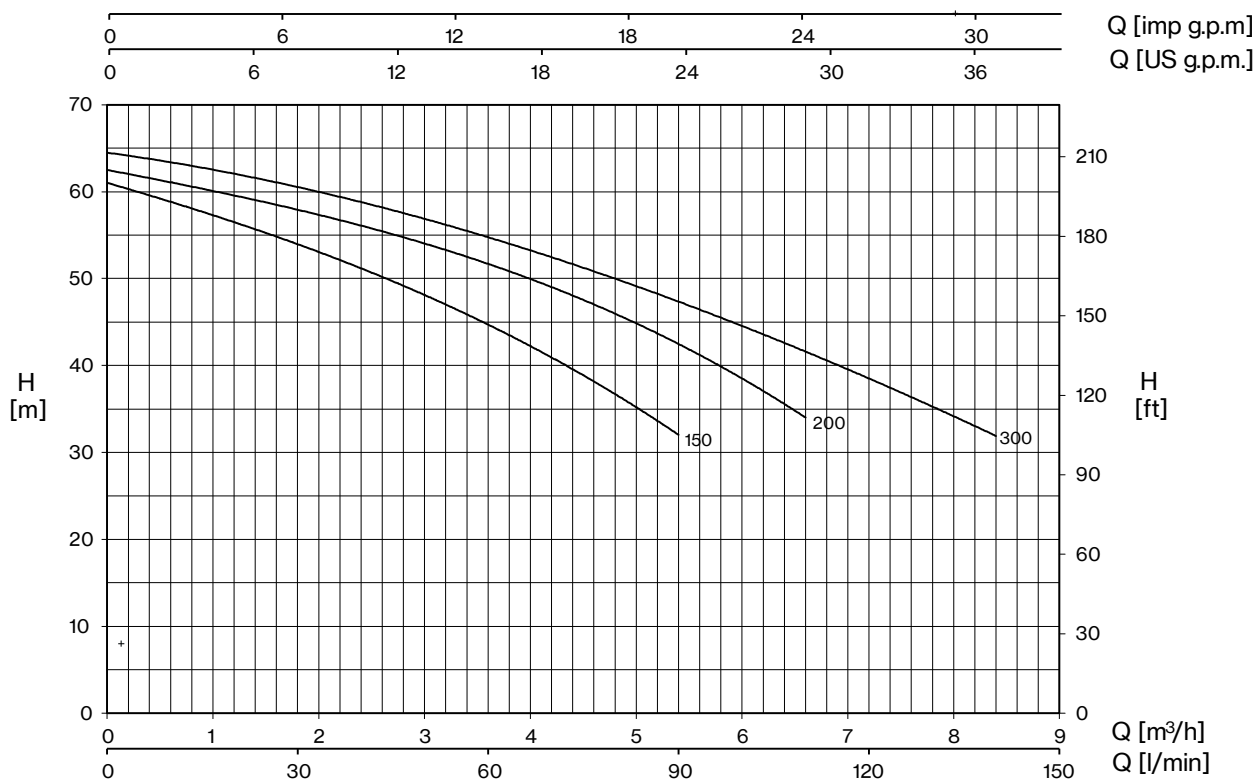
Construction features	
<b>Pump body</b>	cast iron
<b>Motor bracket</b>	cast iron
<b>Impeller</b>	Noryl® or brass
<b>Mechanical seal</b>	ceramic-graphite
<b>Motor shaft</b>	stainless steel AISI 303 hydraulic side
<b>Liquid temperature</b>	0 - 50 °C
<b>Operating pressure</b>	max 8 bar

Motor	
	3- 230/400V-50Hz
<b>2 Poles induction motor</b>	1- 230V-50Hz (with thermal protection)
<b>Insulation class</b>	F
<b>Protection degree</b>	IPX4

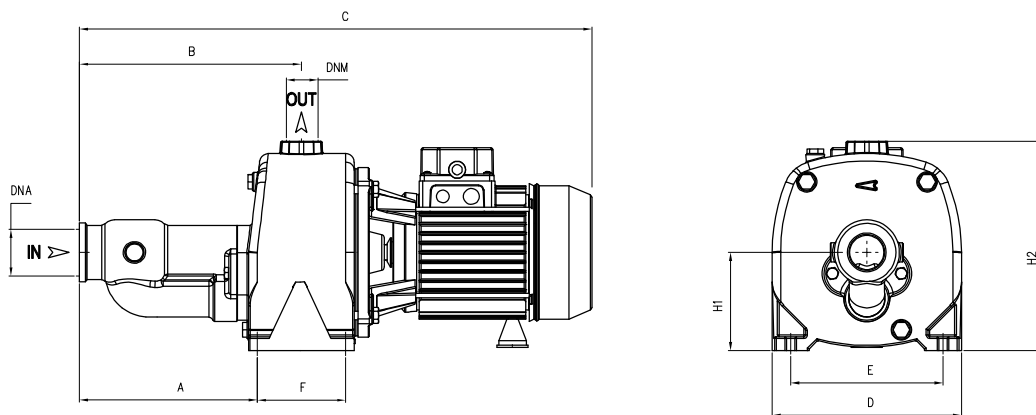


TYPE	LOTS			
	TRUCK		CONTAINER	
	PALLET (cm)	N° pumps	PALLET (cm)	N° pumps
<b>CAB</b>	85×110×140	30	85×110×190	42





TYPE		P2		P1 (kW)		AMPERE		Q (m³/h - l/min)									
1~	3~	HP	kW	1~	3~	1x230 V 50 Hz	3x400 V 50 Hz	0	1,2	1,8	3	4,2	5,4	6,6	7,8	8,	
								0	20	30	50	70	90	110	130	140	
								H (m)									
CAB 150	CABT 150	1,5	1,1	1,74	1,68	7,9	3,3	61	56,5	54	48	41	32				
CAB 200	CABT 200	2	1,5	2,22	2,1	10,3	3,9	62,5	59,5	58	54	49	42,5	34			
CAB 300	CABT 300	3	2,2	2,65	2,5	11,8	4,9	64,5	62	60,5	57	52,5	47	42	35	32	



TYPE	DIMENSIONS (mm)													Kg
	A	B	C	D	E	F	H1	H2	DNA	DNM	I	L	M	
CAB 150	204	257	596	220	177	105	112	240	1" 1/2 G	1" G	610	235	275	30
CAB 200	204	257	596	220	177	105	112	240	1" 1/2 G	1" G	610	235	275	30,5
CAB 300	204	257	596	220	177	105	112	240	1" 1/2 G	1" G	610	235	275	31,5