

**50Hz**



# **GENERAL CATALOGUE**

**Edition 2022**

[www.pentax-pumps.it](http://www.pentax-pumps.it)

# Where there's water there's Pentax



Viale dell'Industria, 1  
37040 Veronella (VR) - Italia  
Tel. +39 0442 489500  
Fax +39 0442 489510  
com@pentax-pumps.it  
[www.pentax-pumps.it](http://www.pentax-pumps.it)

**PENTAX s.p.a.**



# AQUADOMUS

Booster set

Aquadomus is an integrated 'Plug&Play' system to manage water pressurization for domestic and residential applications. The electronic control (E-IPFC) manages the operation of the system in order to maintain the pressure constant even if the conditions of use change. It can be driven and monitored by a dedicated app "Pentax IPFC". It consists of a multistage pump, a permanent magnet synchronous motor, an electronic inverter control, an expansion tank, a no return valve, a pressure sensor, a cable with plug.

## Construction features

<b>Liquid temperature</b>	-5 ÷ +35 °C
<b>Rated pressure</b>	max 7 bar
<b>4 poles synchronous motor with permanent magnet</b>	4200 RPM
<b>Input voltage</b>	1- 230V-50Hz 1- 220V-60Hz
<b>Insulation class</b>	F
<b>Protection degree</b>	



Constant pressure even if the conditions of use change



Dedicated Pentax IPFC App for programming and monitoring (compatible with iOS and Android)



Bluetooth smart pump





Dedicated app for control and programming of Aquadomus



## APP FUNCTIONALITY

- **Monitor:** monitoring several operative parameters. Obtaining energy consumption statistics and check alarm history

---

- **Program:** create programs, save them in the archive, copy them to other devices and share them among multiple users

---

- **Archive:** create reports with the ability to insert notes, images and send them by e-mail or keep them in the digital archive

---

- **Remote:** remotely control an Aquadomus via wi-fi or GSM by using a nearby smartphone as a modem

---

- **Manuals:** access manuals and supplementary technical documentation

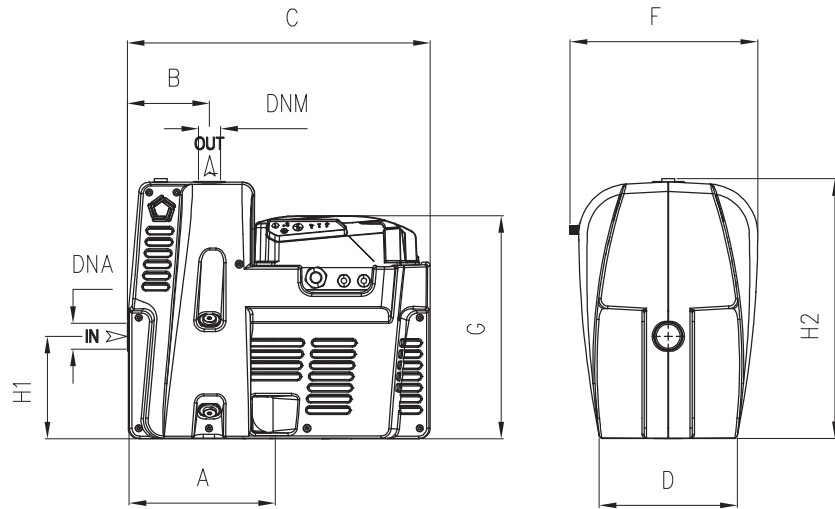
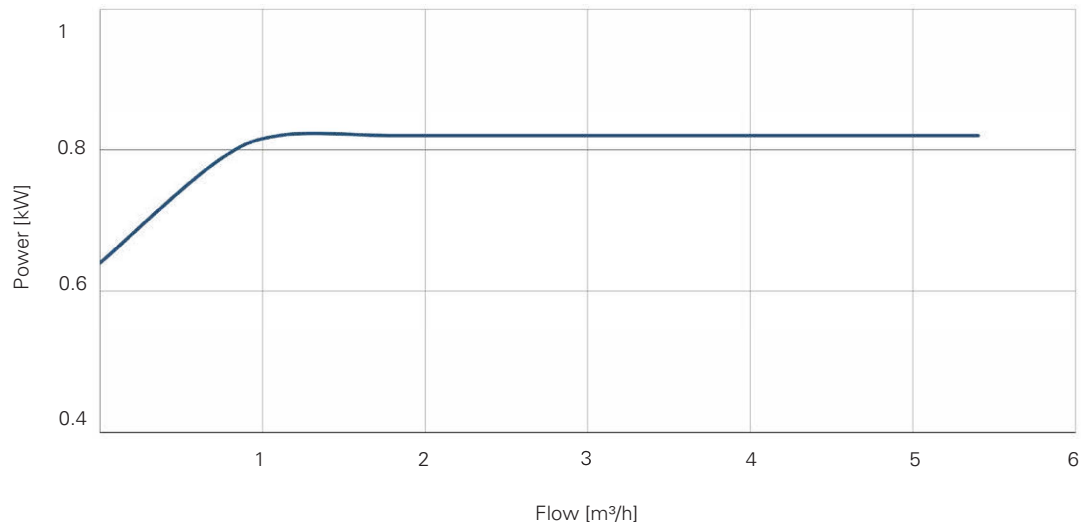
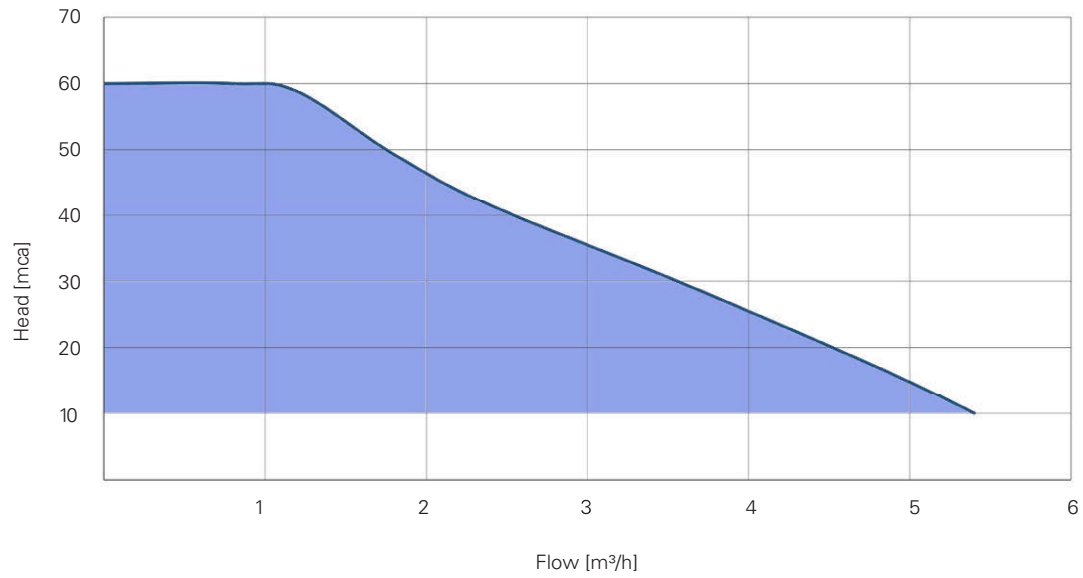
---

- **Guide:** receive online assistance on parameters and alarms

---




# PENTAX IPFC



TYPE	DIMENSIONS (mm)										Kg
	A	B	C	D	F	G	H1	H2	NA	DNM	
Aquadomus	166,8	103	377	173	235	280	128	129,5	1" G	1" G	11

